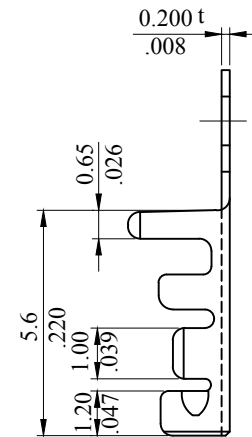
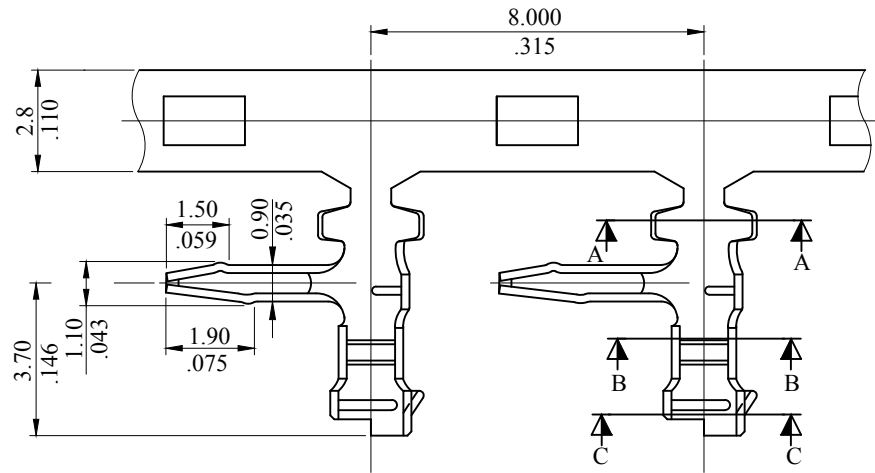


REV.	ECO. NO.	DESCRIPTION	DATE
C	ES061203		
D	ES170808	Upgrade drawing frame Modify the B-2 area dimension	2017.08.04
E	ES210501	E-8 area - Change P/N 2521T*B0H0 to 2512T*B0H0A	2021.05.07



\*\*\* 2512 \*\*\*

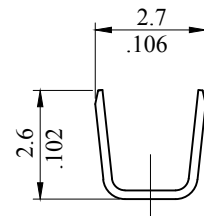
\* Ordering Information :

2512T \*B 0H0A

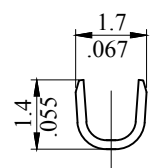
1

1. PB=Phosphor Bronze

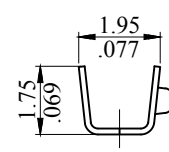
CB=BRASS



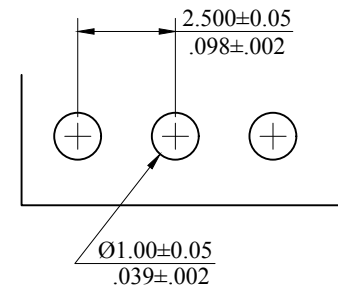
SEC A-A



SEC B-B



SEC C-C



RECOMMENDED HOLE PATTERN

TOLERANCE UNLESS OTHERWISE SPECIFIED			LEOCO CORPORATION		
mm			<a href="http://www.leoco.com.tw">http://www.leoco.com.tw</a>		
[inch]	mm	inch	APPROVED BY:	DATE:	TITLE:
1 PLACE	± 0.30	± ---	Chard	2021.05.07	Terminal
2 PLACES	± 0.20	± .012	Checked BY:	DATE:	
3 PLACES	± 0.10	± .008	Spring	2021.05.07	PART NO.: 2512T*B0H0A
4 PLACES	± ---	± .004	Drawn BY:	DATE:	
ANGULAR ±1°			Angel	2021.05.07	DRAWING NO.: 251202S
SIZE:	A3	SCALE:	1:1	REV.: E	
			SHEET:		1 OF 1