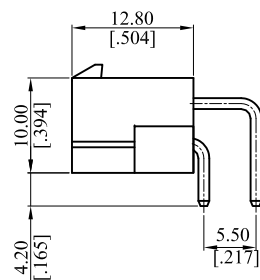
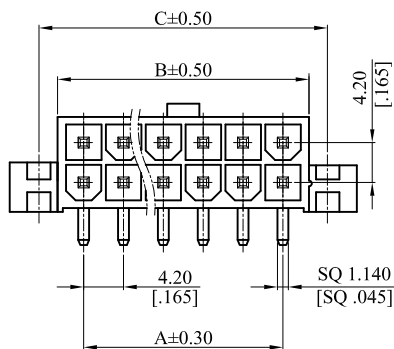
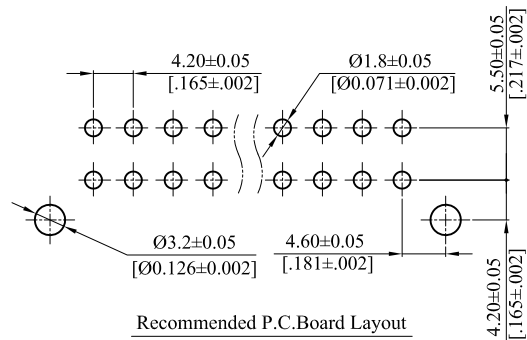
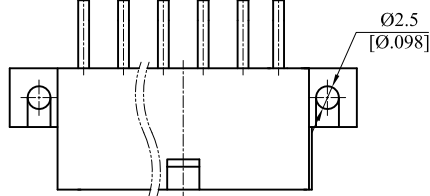


RoHS COMPLIANT

CUSTOMER DRAWING			
REV.	ECO. NO.	DESCRIPTION	DATE
A	DWG. REL.	APPROVED	2018.02.08
B	ES190411	B-6:Modify the plating code"1"to"0"	2019.04.24



Note:

Material:
Insulator: Thermoplastic
Contact: Brass

General part number:
6745P ** H * 0 *
1 2 3

1. No.of circuits(02~24)

2. Plating:

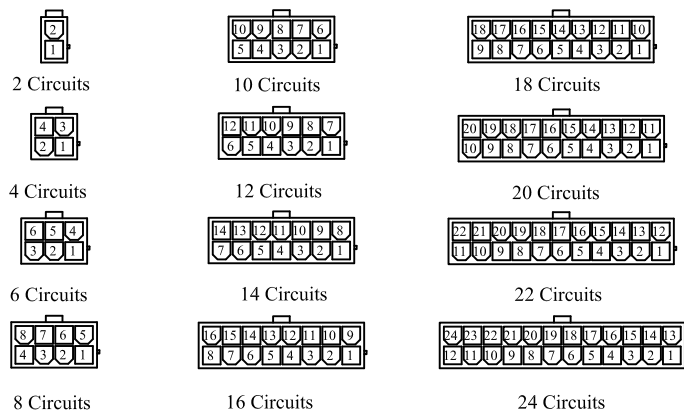
- 0= Tin plated 120µ" min. over 30µ" min. Nickel underplating overall.
- U= Gold flash over 30µ" min. Nickel underplating overall .
- W= 15µ" min. Gold over 30µ" min. Nickel underplating overall
- Z= 30µ" min. Gold over 30µ" min. Nickel underplating overall

3. Options:

- A=UL94V-2. with screw hole and without mounting pegs, Nature
- B=UL94V-0. with screw hole and without mounting pegs, White

A=4.20mm(.165")*No. of Spaces
B=A+5.40mm(.213")
C=A+9.00mm(.354")

Detail Circuit Pattern Schedule:



TOLERANCE UNLESS OTHERWISE SPECIFIED			LEOCO CORPORATION http://www.leoco.com.tw	
mm	mm	inch	APPROVED BY:	DATE:
[inch]			Chard	2019.04.24
1 PLACE	± 0.30	± ---	CHECKED BY:	DATE:
2 PLACES	± 0.20	± .012	Angel	2019.04.24
3 PLACES	± 0.10	± .008	DRAWN BY:	DATE:
4 PLACES	± ---	± .004	Dylan	2019.04.24
ANGULAR ±1°			SIZE:	SCALE:
			A3	1:1
			TITLE: 4.2mm(.165") Pitch Right Angle PCB Power Connector	
			PART NO.: 6745P**H*0*	
			DRAWING NO.:	REV.:
			674536S	B
			SHEET:	
			1 OF 1	