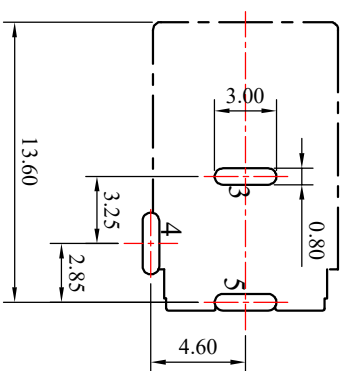
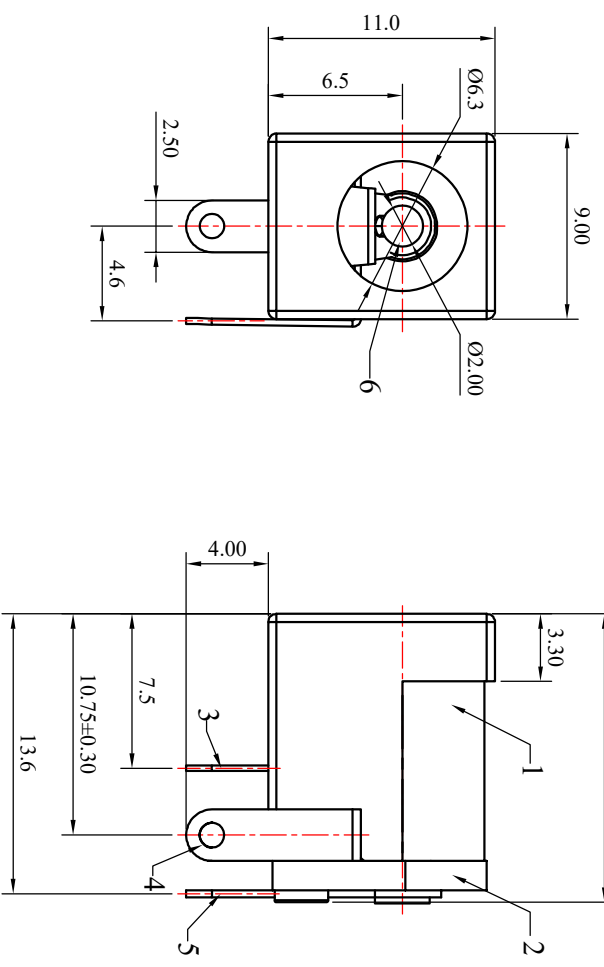
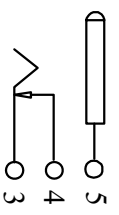


REV.	ECO. NO.	DESCRIPTION	DATE
A	DWG. REL.	APPROVED	
D	ES960589		
E	ES130726		
F	ES170104	Area C-3: 4.3→4.0	
G	ES220719	Area B-6: 3.2→3.25 Area B-7: 2.8→2.85 Area C-6: 13.8→13.6	2022.07.25

CUSTOMER DRAWING



Recommended P.C.B Layout
General Tolerance:±0.05



Schematic

NO.	Name	Materials	Plating
1	Housing	PBT	Black
2	Cover	PBT	Black
3	Tip Spring	Phosphor Bronze, t=0.25	SnSb Plated
4	Break Terminal	Brass, t=0.3	Cu/Sn Plated
5	Pin Terminal	Brass, t=0.35	Cu/Sn Plated
6	Centre Pin	Brass	Cu/Sn Plated

TOLERANCE UNLESS OTHERWISE SPECIFIED	
mm	inch
1 PLACE	± 0.30
2 PLACES	± 0.20
3 PLACES	± 0.10
4 PLACES	± ---
ANGULAR ±1°	

LECO CORPORATION http://www.leco.com.tw	TITLE: Ø2.0 DC Power Jack
APPROVED BY: Chard	DATE: 2022.07.25
CHECKED BY: Angel	DATE: 2022.07.25
DRAWN BY: Spring	DATE: 2022.07.25
PART NO.: DCJKP20H001	DRAWING NO.: DCJK04S
SIZE: A3	SCALE: 1:1
REV.: G	SHEET: 1 OF 1