

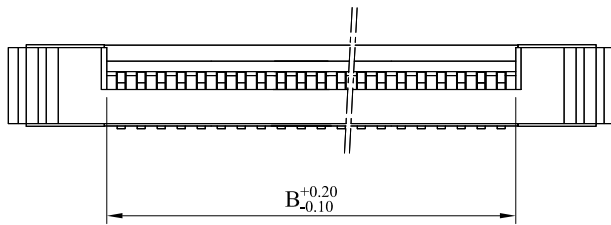
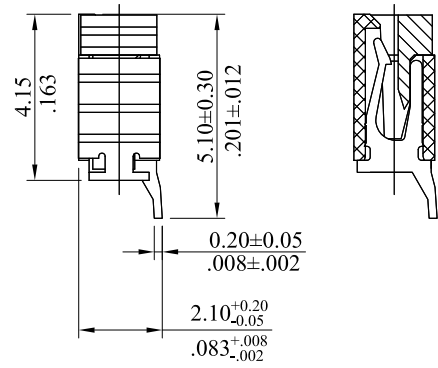
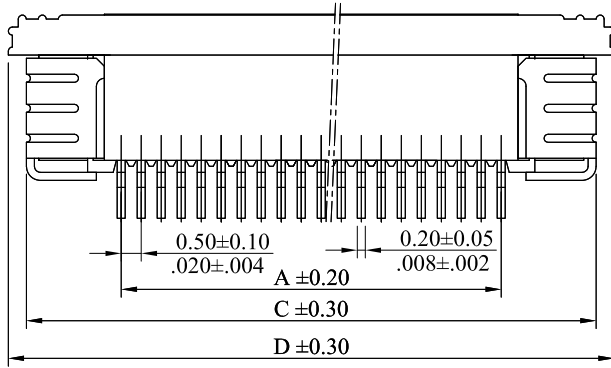
MATERIAL:

Housing: PA46 UL94V-0
 Actuator: PPS, UL94V-0
 Contact: Phosphor Bronze.
 Latch: Phosphor Bronze.

SPECIFICATION:

Current Rating: 0.4A Max.
 Voltage Rating: 50V Max.
 Dielectric Withstanding Voltage: 200 volts AC.
 Contact Resistance: 20mΩ Max.
 Insulation Resistance: 100MΩ Min.
 Operating temperature: -40°C to +80°C.

RoHS COMPLIANT

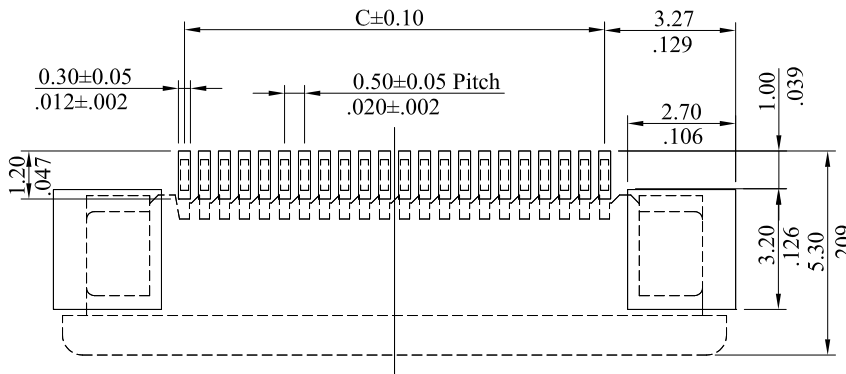


A=0.5*No. of spaces
 B=A+1.10
 C=A+4.75
 D=A+6.02

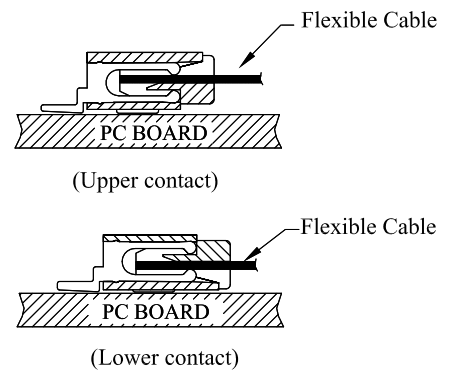
Ordering Information:

0503S**U M0 0
 1 2 3 4 5

1. Series name
2. Number of circuits
3. Contact type
 U = Upper contact
 D = Lower contact
4. Terminal type
 M=SMT terminal
5. Packing:
 0 = Tube
 1 = Tape & Reel



RECOMMENDED PCB LAYOUT



| | | | | | | | | | | |
|---|----------|------|------|-----------|--|--------------------------|-------|------|-------|------|
| LECO CORPORATION | | | | APPROVED: | | PART NO.: | | | | |
| | | | | DATE: | | 0503S***M0* | | | | |
| GENERAL TOLERANCES: (UNLESS SPECIFIED) | | | | CHECKED: | | TITLE: 0.5mm(.020")Pitch | | | | |
| | | | | DATE: | | FPC Connector | | | | |
| B | ES101138 | | | DRAWN: | | DRAWING NO.: | | | | |
| A | DWG REL | | | DATE: | | 050302S | | | | |
| REV. | ECO. NO. | CHG. | APP. | | | UNITS | SCALE | SIZE | SHEET | REV. |
| ANGULAR ± (1°) | | | | | | mm inch | 5:1 | A4 | 1/1 | B |