

RoHS COMPLIANT

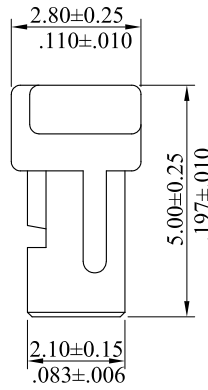
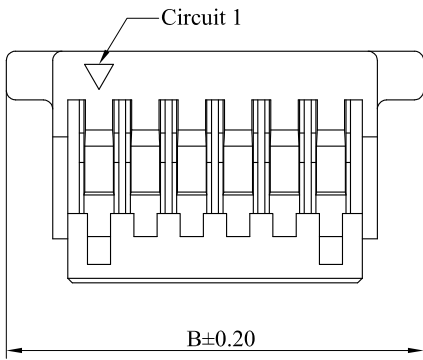
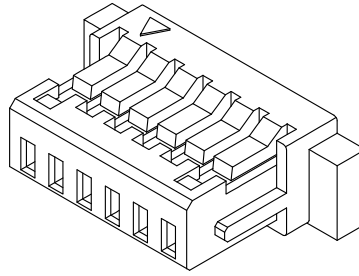
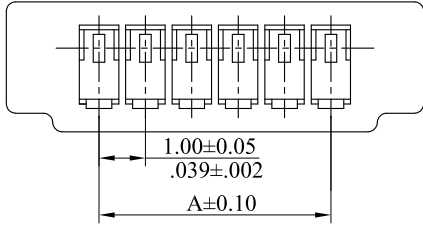
SPECIFICATION:

Current Rating: 1A AC,DC.
 Voltage Rating: 50V AC,DC
 Temperature Range: -25°C ~ +85°C
 Contact Resistance: 20mΩ Max.
 Insulation Resistance: 500MΩ Min.
 Withstanding Voltage:500V AC/minute
 Material:PBT,UL94V-0

Ordering Information:

1010 S ** 00 * *
 1 2 3

1. No. of Circuits
2. COLOR 0=WHITE
B=BLACK
3. SPECIAL OPTION
0=WITH EAR
A=WITHOUT EAR



No. of circuits	Dim.A	Dim.B
2	1.00	5.00
3	2.00	6.00
4	3.00	7.00
5	4.00	8.00
6	5.00	9.00
7	6.00	10.00
8	7.00	11.00
9	8.00	12.00
10	9.00	13.00
11	10.00	14.00
12	11.00	15.00
13	12.00	16.00
14	13.00	17.00
15	14.00	18.00
16	15.00	19.00
17	16.00	20.00
18	17.00	21.00
19	18.00	22.00
20	19.00	23.00

E	ES101138			LECO CORPORATION GENERAL TOLERANCES: (UNLESS SPECIFIED)	APPROVED:	PART NO.:									
D	ES081001				DATE:	1010S**00*0									
C	ES060915				CHECKED:	TITLE:									
B	/				DATE:	HOUSING									
A	DWG REL			1 PLACE	± 0.30	± --	DRAWING NO.:	6:1	A4	1/1	E				
REV.	ECO. NO.	CHG.	APP.	2 PLACES	± 0.20	± .012						SCALE	SIZE	SHEET	REV.
				3 PLACES	± 0.10	± .008									
				4 PLACES	± --	± .004						mm	inch	6:1	A4
				ANGULAR ± (1°)											