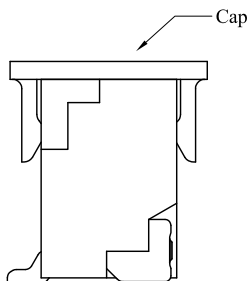
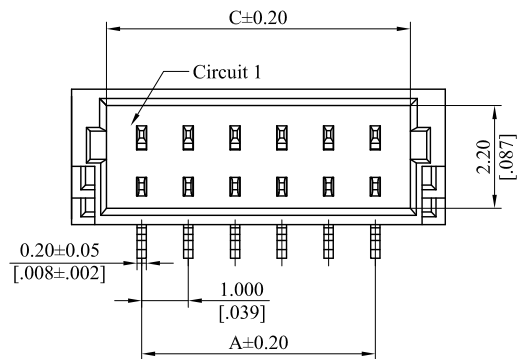


RoHS COMPLIANT

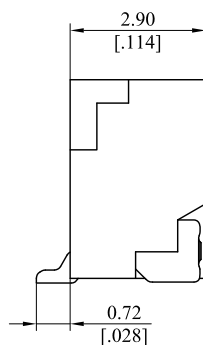
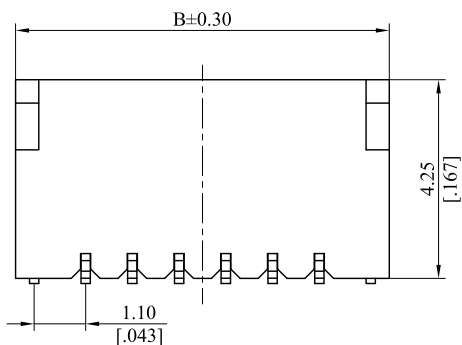
CUSTOMER DRAWING

REV.	ECO. NO.	DESCRIPTION	DATE
A	DWG. REL.	APPROVED	
B	ES101138		
C	ES150209	Add a cap	
D	ES180822	B-2 Area Change 1.00±0.05 to 1.000 D-4 Area Change 0.700 to 0.72 Pin Material: Change Brass to Phosphor Bronze	2018.08.24

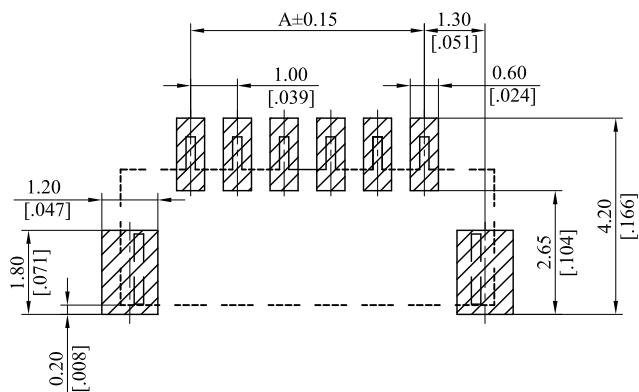


Note:
 Material:
 Insert: High Temperature Thermoplastic, UL94V-0, Natural
 Contact: Phosphor Bronze/Tin plated
 Solder Tabs: Brass/Tin plated
 Solider Tabs: Phosphor Bronze/Tin plated

General part number:
 1010P ** MV00
 1
 1.No.of circuits.(02~21)



A=1.00(.039")mm *No.of Spaces
 B=A+3.00(.118")mm
 C=A+1.50(.059")mm



PCB LAYOUT

TOLERANCE UNLESS OTHERWISE SPECIFIED			LEOCO CORPORATION http://www.leoco.com.tw		
mm	mm	inch	APPROVED BY:	DATE:	TITLE:
[inch]			Chard	2018.09.04	1.00mm PITCH WAFER-SMT TYPE
1 PLACE	± 0.30	± ---	CHECKED BY:	DATE:	
2 PLACES	± 0.20	± .012	Angel	2018.08.24	
3 PLACES	± 0.10	± .008	DRAWN BY:	DATE:	
4 PLACES	± ---	± .004	Dylan	2018.08.24	PART NO.: 1010P**MV00
ANGULAR ±1°			SIZE: A3	SCALE: 1:1	DRAWING NO.: 101004S
					REV.: D
					SHEET: 1 OF 1