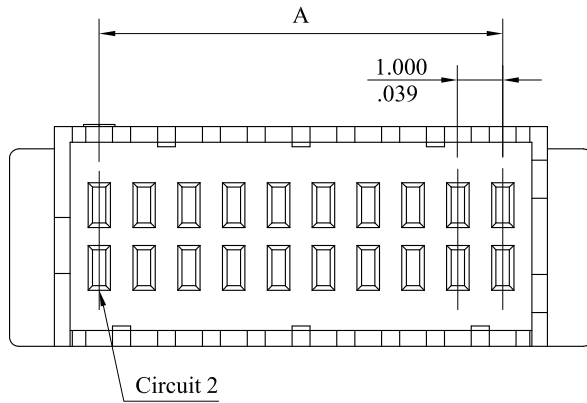
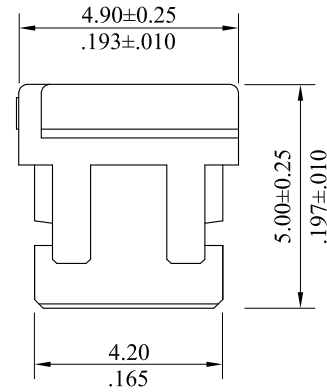
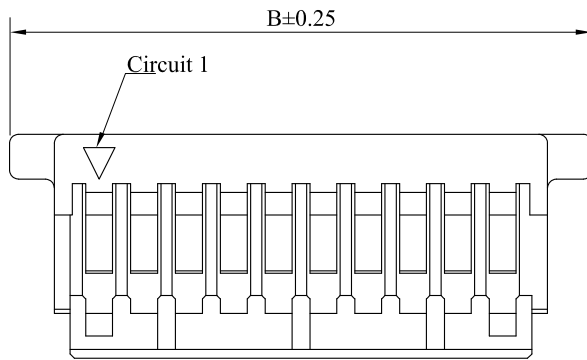


\* Material: PBT, UL94V-0

RoHS COMPLIANT



No. of circuits	DIM. A	DIM. B
2X10	9.00(.354)	13.00(.512)
2X15	14.00(.551)	18.00(.709)
2X20	19.00(.748)	23.00(.906)
2X25	24.00(.945)	28.00(1.102)

				LEOCO CORPORATION		APPROVED:		PART NO.: 1020S**0000				
				GENERAL TOLERANCES: (UNLESS SPECIFIED)		DATE:		TITLE: HOUSING				
C	ES101138						CHECKED:	DRAWING NO.: 102001S				
B	ES081001						DATE:					
A	DWG REL						DRAWN:					
REV.	ECO. NO.	CHG.	APP.				DATE:	UNITS	SCALE	SIZE	SHEET	REV.
								$\frac{mm}{inch}$	6:1	A4	1/1	C
				ANGULAR $\pm (1^\circ)$								