

* Material: NYLON 6T, UL94V-0

* Pin Material: Brass/Tin-plated

* Solder Tabs: Brass/Tin-plated

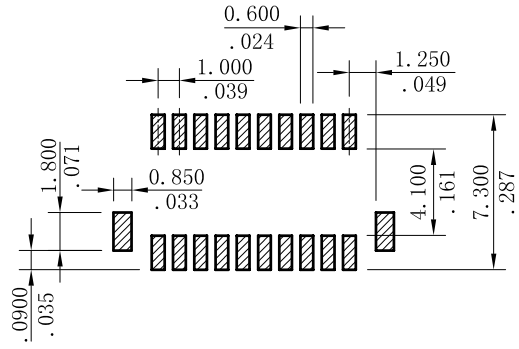
Ordering Information:

1020P $\frac{**}{1}$ $\frac{M}{2}$ $\frac{H}{3}$ 00

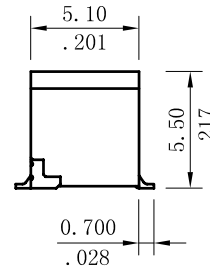
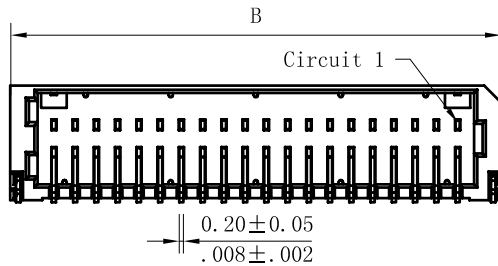
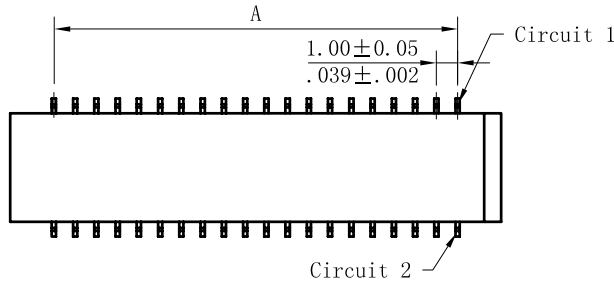
1. No. of circuits

2. M: SMT TYPE

3. H: Right Angle Type



Recommended Hole Pattern



No. of circuits	DIM. A	DIM. B
2X10	9.00 (.354)	13.10 (.516)
2X15	14.00 (.551)	18.10 (.713)
2X20	19.00 (.748)	23.10 (.909)
2X25	24.00 (.945)	28.10 (1.106)

leoco LEOCO CORPORATION

GENERAL TOLERANCE

X. ± X° ± 2°

.X ± $\frac{0.30}{.012}$.X° ± 1°

.XX ± $\frac{0.20}{.008}$.XX° ± 0.5°

.XXX ± $\frac{0.10}{.004}$.XXX° ± 0.1°

APPROVED:

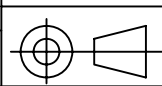
DATE:

CHECKED:

DATE:

DRAWN:

DATE:



UNITS
 $\frac{\text{mm}}{\text{inch}}$

PART NO.:

1020P**MH00

TITLE:

HEADER

DRAWING NO.:

102002S

SCALE SIZE SHEET REV.

~ A4 1/1 A

REV.	ECO. NO.	CHG.	APP.
A	DWG REL		