

RoHS COMPLIANT

Material: Phosphor bronze

Wire range: AWG30~34

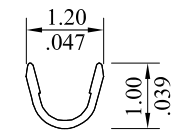
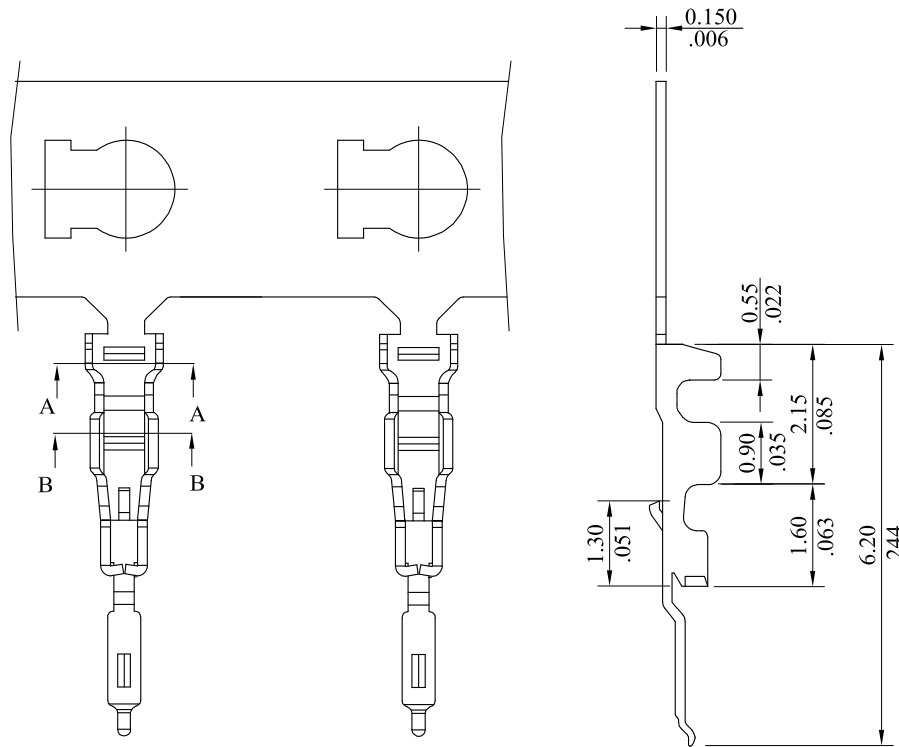
Ordering information:

$$1050TPB \frac{* 000}{1}$$

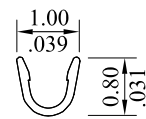
1.Plating:

O=Tin plated 120u" min. over 30 u"min. nickel overall

F=Selective gold over 30 u"min. nickel overall



SECTION A-A



SECTION A-A

				<b>leoco</b> LEOCO CORPORATION		APPROVED:		PART NO.:			
				GENERAL TOLERANCES: (UNLESS SPECIFIED)		DATE:		1050TPB*000			
						CHECKED:		TITLE:			
						DATE:		TERMINAL			
						DRAWN:		DRAWING NO.:			
						DATE:		105002S			
B	ES101209			1 PLACE	± 0.30	± --	UNITS mm inch	SCALE	SIZE	SHEET	REV.
A	DWG REL			2 PLACES	± 0.20	± .012					
REV.	ECO. NO.	CHG.	APP.	3 PLACES	± 0.10	± .008					
				4 PLACES	± --	± .004					
				ANGULAR ± ( 1° )							