

*** 1255 H Series ***

Ordering Information :

RoHS COMPLIANT

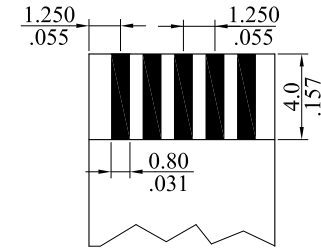
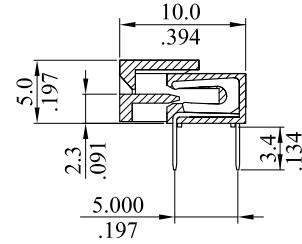
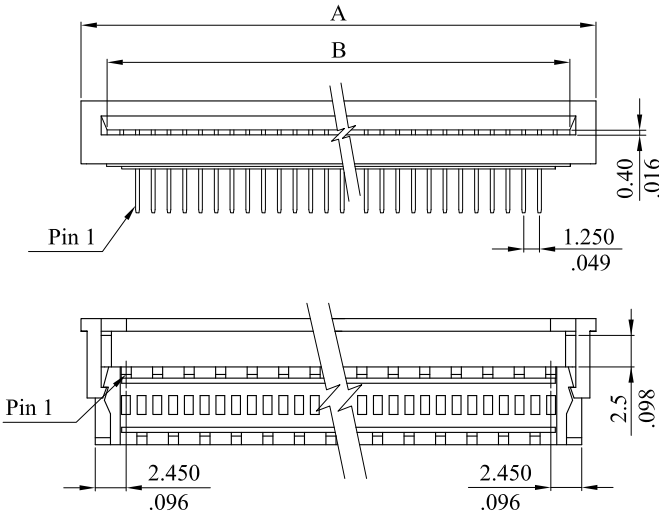
Material:

1255S ** H T * 0
 1 2 3 4

* Insulator: UL94V-0 PBT

* Contact: Phosphor Bronze

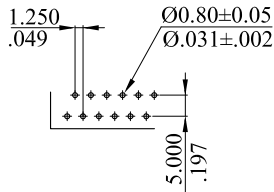
1. No. of circuit (4 through 32)
2. H : Right angle
3. Plating : Tin plated 100u" min. over 30u"min. nickel overall
4. Type of layout:
 0=Layout I
 1=Layout II



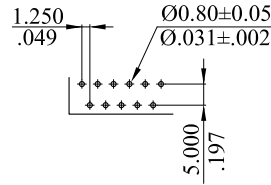
* Dim.A = (No. of Position x 1.25) + 5.8

* Dim.B = (No. of Position x 1.25) + 1.45

FFC/FPC Dimension
 Thickness 0.3±0.05mm



Recommended Hole Pattern
 Layout I (Top View)



Recommended Hole Pattern
 Layout II (Top View)

H	ES160402			LECO CORPORATION GENERAL TOLERANCES: (UNLESS SPECIFIED) <table border="1"> <thead> <tr> <th></th> <th>mm</th> <th>inch</th> </tr> </thead> <tbody> <tr> <td>1 PLACE</td> <td>± 0.30</td> <td>± ---</td> </tr> <tr> <td>2 PLACES</td> <td>± 0.20</td> <td>± .012</td> </tr> <tr> <td>3 PLACES</td> <td>± 0.10</td> <td>± .008</td> </tr> <tr> <td>4 PLACES</td> <td>± ---</td> <td>± .004</td> </tr> </tbody> </table>		mm	inch	1 PLACE	± 0.30	± ---	2 PLACES	± 0.20	± .012	3 PLACES	± 0.10	± .008	4 PLACES	± ---	± .004	APPROVED: Chard DATE: 2016.04.06	PART NO.: 1255S**HT*0
	mm	inch																			
1 PLACE	± 0.30	± ---																			
2 PLACES	± 0.20	± .012																			
3 PLACES	± 0.10	± .008																			
4 PLACES	± ---	± .004																			
G	ES101214			CHECKED: Topmoon DATE: 2016.04.06	TITLE: ZIF Connector (Side Entry Type)																
F	ES081128			DRAWN: Milano DATE: 2016.04.06	DRAWING NO.: 125501S																
E	ES050142				<table border="1"> <thead> <tr> <th>UNITS</th> <th>SCALE</th> <th>SIZE</th> <th>SHEET</th> <th>REV.</th> </tr> </thead> <tbody> <tr> <td>mm inch</td> <td>2:1</td> <td>A4</td> <td>1/1</td> <td>H</td> </tr> </tbody> </table>	UNITS	SCALE	SIZE	SHEET	REV.	mm inch	2:1	A4	1/1	H						
UNITS	SCALE	SIZE	SHEET			REV.															
mm inch	2:1	A4	1/1	H																	
D	E980130																				
REV.	ECO. NO.	CHG.	APP.	ANGULAR ± (1°)																	