

*** 1255 V Series ***

Material:

* Insulator: UL94V-0 PBT

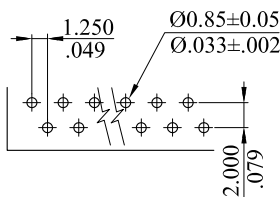
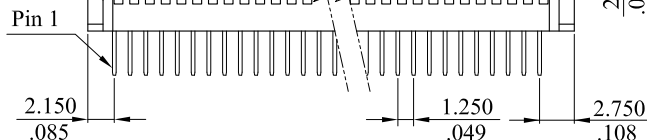
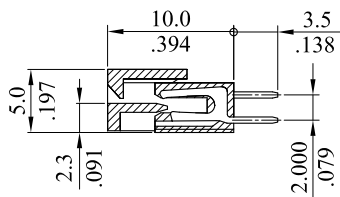
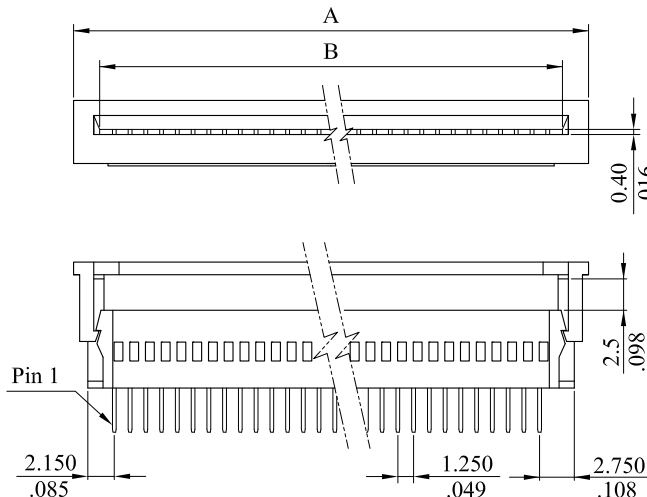
* Contact: Phosphor bronze

Ordering information :

1255S ** V T * 0
1 2 3 4

RoHS COMPLIANT

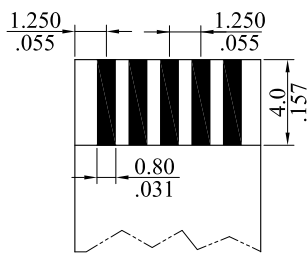
- 1. No. of circuit (4 through 32)
- 2. V : Straight
- 3. Plating : Tin plated 100u" min. over 30u"min. nickel overall
- 4. Type of layout:
 - 0=Layout I
 - 1=Layout II



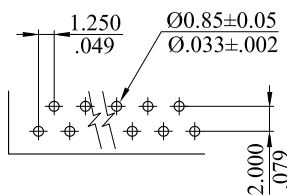
* Dim.A = (No. of circuit * 1.25) + 5.8

* Dim.B = (No. of circuit * 1.25) + 1.45

Recommended Hole Pattern
Layout I (Top View)



FFC/FPC Dimension
Thickness 0.3±0.05mm



Recommended Hole Pattern
Layout II (Top View)

G	ES160402			LECO CORPORATION	APPROVED:	PART NO.:				
F	ES101214				Chard	1255S**VT*0				
E	E081128			GENERAL TOLERANCES: (UNLESS SPECIFIED)	DATE: 2016.04.06	TITLE:				
D	E980130				CHECKED:	ZIF Connector (Top Entry Type)				
C	E960687				DATE: 2016.04.06	DRAWING NO.:				
REV.	ECO. NO.	CHG.	APP.		DRAWN:	125502S				
					Milano	UNITS	SCALE	SIZE	SHEET	REV.
					DATE: 2016.04.06	mm	2:1	A4	1/1	G
						inch				
					ANGULAR ± (1°)					