

*** 1277 Series ***

RoHS COMPLIANT

Material:
 Insulator: UL94V-0 PA6T
 Contact: Brass

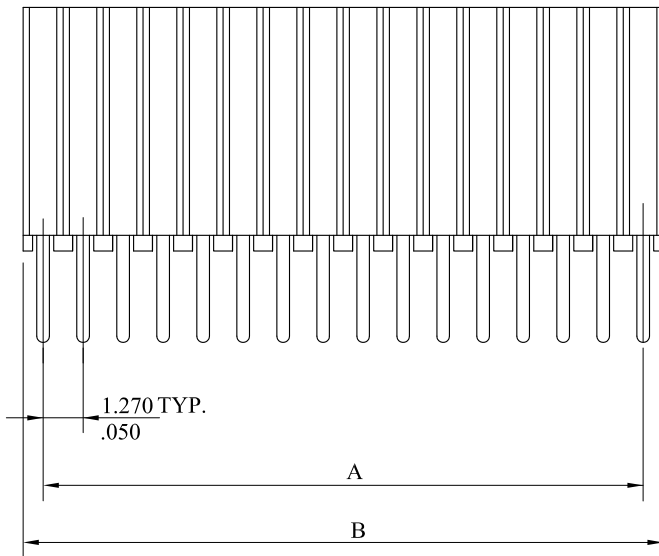
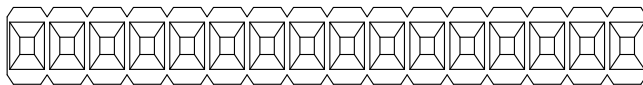
Ordering Information :

1277 S *** 000
 1 2

1. No. of circuits

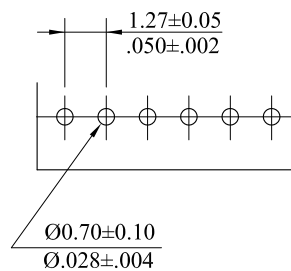
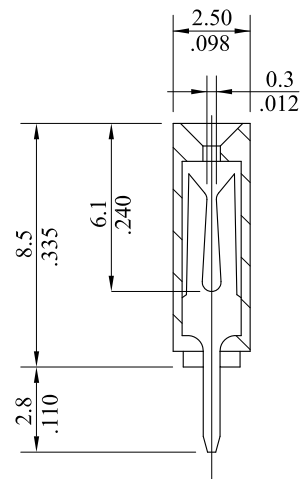
2. Plating :

- T=Tin plated 120u"min. over 30u"min. nickel overall
- U=Gold flash over 30u"min. nickel overall
- W=15u"min. gold over 30u"min. nickel overall
- Z=30u"min. gold over 30u"min. nickel overall



Dim.A = 1.27mm * No. of spaces

Dim.B = Dim.A + 1.27mm



RECOMMENDED HOLE PATTERN

				LEOCO CORPORATION		APPROVED:		PART NO.:				
				GENERAL TOLERANCES: (UNLESS SPECIFIED)		DATE:		1277S***000				
						CHECKED:		TITLE:				
C	ES101214			mm		DATE:		CONNECTOR				
B	ES070126					DRAWN:		DRAWING NO.:				
A	DWG REL			inch		DATE:		127701S				
REV.	ECO. NO.	CHG.	APP.	1 PLACE	± 0.30	± --		UNITS	SCALE	SIZE	SHEET	REV.
				2 PLACES	± 0.20	± .012		$\frac{mm}{inch}$	4:1	A4	1/1	C
				3 PLACES	± 0.10	± .008						
				4 PLACES	± --	± .004						
				ANGULAR ± (1°)								