

NOTE:

- Material  
Housing: High temperature thermoplastic  
Contact: Copper alloy  
Ped: Brass
- Plating  
Contact: underplated: 50 u" min. Ni  
Contact area: gold flash over Ni plated  
Ped: 100 u" min. Sn/Pb over 50 u" min. Ni plated
- Mechanical  
Retention force: 1.0kg min.
- Electrical  
Voltage rating: 100V AC.  
Insulation resistance: 1000 megohms min.  
Dielectric withstanding voltage: 500V AC .  
Contact resistance: 40 milliohms max.  
Current rating: 0.5 A.
- Environment  
Poeration temperature : -55°C ~ +85°C.

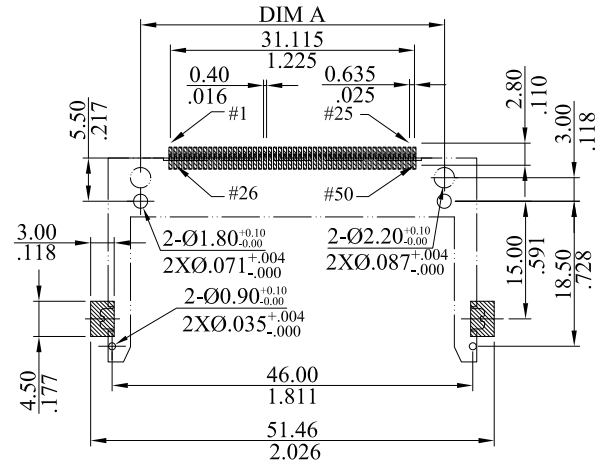
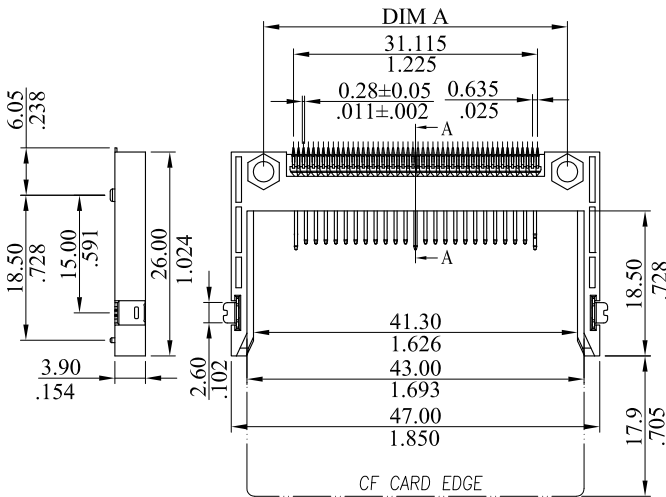
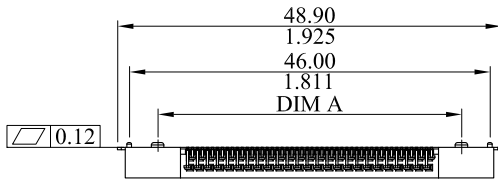
RoHS COMPLIANT

Ordering Information:

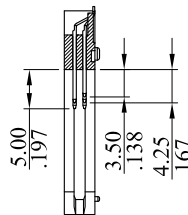
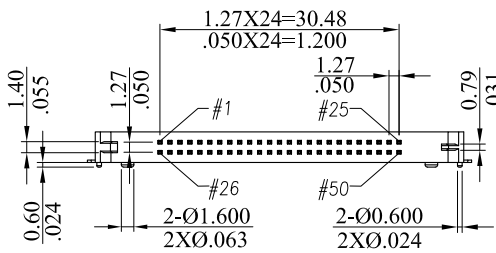
1289 C A D \* F 0 0  
1 2 3

- A = SMT type pitch(DIM A)38.74mm for the Post
- Contact plating  
F=Selective gold flash over 50μ"nickel  
X=Selective 10μ"gold over 50μ"nickel  
J=Selective 15μ"gold over 50μ"nickel
- Color & package  
0= Color: Beige Package: tray

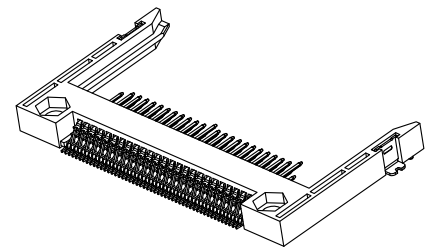
Pin Type	Interface Dim.	Pin No.
Detect	3.5mm (0.138In.)	25,26
General	4.25mm (0.167In.)	The others
Power	5.0mm (0.197In.)	01,13,38,50



P.C.B Layout



SECTION A-A



				LECO CORPORATION			APPROVED:		PART NO.:			
				GENERAL TOLERANCES: (UNLESS SPECIFIED)			DATE:		1289CAD*F00			
							CHECKED:		TITLE: CF CARD PLUG SLIM NORMAL TYPE			
							DATE:		DRAWING NO.:			
							DRAWN:		128903S			
							DATE:					
A	DWG REL						UNITS		SCALE	SIZE	SHEET	REV.
REV.	ECO. NO.	CHG.	APP.	ANGULAR ± ( 1° )			mm inch		1:1	A4	1/1	A