

Material:

Plastic: High temperature thermoplastic, UL 94V-0.

Contact: Copper alloy

Ordering Information

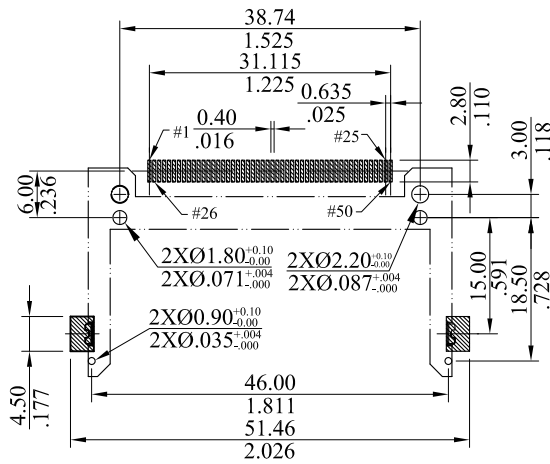
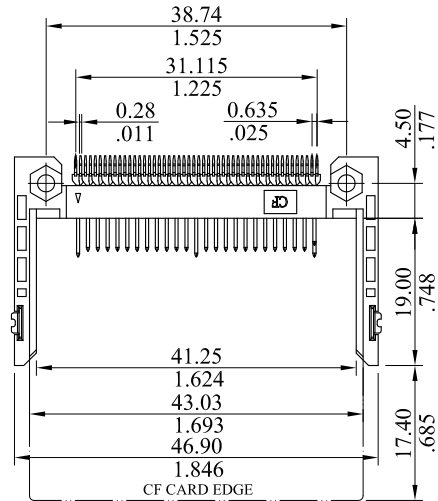
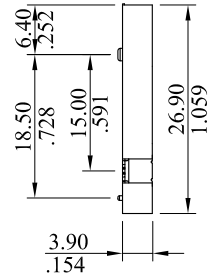
1289 C A F \* F 0 \*  
1 2 3 4 5 6

1. Series No.
2. C = Slim type
3. Length of plastic guide:  
F = Length 26.9mm(1.059")
4. Contact plating:  
F = Selective gold flash over 30u"min.nickel overall  
J = Selective 15u"min.gold over 30u"min.nickel overall
5. Stator:  
F = The distance of post and stator is 15mm(.591")
6. Color & other options  
0 = Beige  
W = White

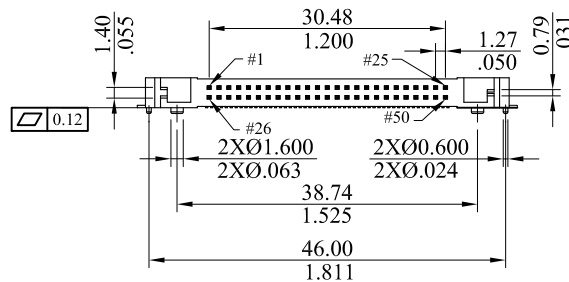
1. Mechanical  
Retention Force: 1.0kg Min.
2. Electrical  
Voltage Rating: 100V AC.  
Insulation Resistance: 1000 MEGOHMS Min.  
Dielectric Withstanding Voltage: 500V AC.  
Contact Resistance: 40 MILLIOHMS Max.  
Current Rating: 0.5 A.
3. Environment  
Poeration Temperature : -55°C ~ +85°C.

RoHS COMPLIANT

TABLE		
Pin Type	Interface Dim.	Pin No.
Detect	3.5mm (0.138In.)	25,26
General	4.25mm (0.167In.)	The others
Power	5.0mm (0.197In.)	01,13,38,50



Recommended PCB Layout



LECO CORPORATION GENERAL TOLERANCES: (UNLESS SPECIFIED)				APPROVED:		PART NO.:			
				DATE:		1289CAF*F0*			
				CHECKED:		TITLE:			
				DATE:		CF Card C onnector			
DRAWN:		DRAWING NO.:		128902S					
DATE:		UNITS		SCALE	SIZE	SHEET	REV.		
		mm / inch		1:1	A4	1/1	A		
ANGULAR	± ( 1° )								