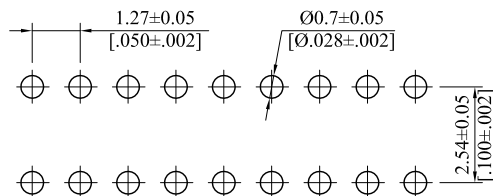
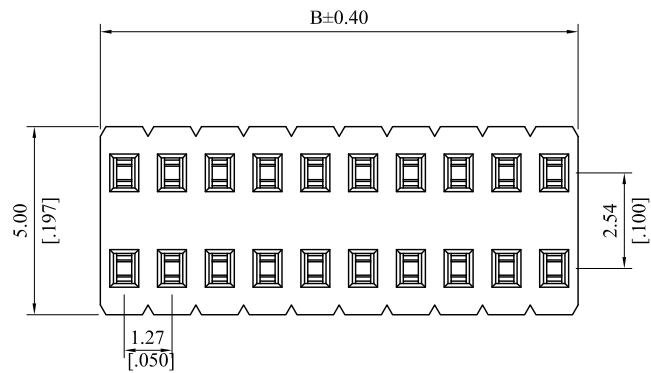


RoHS COMPLIANT

CUSTOMER DRAWING

REV.	ECO. NO.	DESCRIPTION	DATE
A	DWG. REL	APPROVED	
B	ES170806	Area D-4: 2.8→3.0 Contact Material: Phosphor Bronze→Brass	2017.08.07
C	ES180706	Contact Material: Brass→Phosphor Bronze	2018.07.11



Recommended P.C.B Layout

Material:
Insulator: High Temperature Thermoplastic, UL94 V-0, Black
Contact: Phosphor Bronze

Specifications:
Current Rating: 1A AC DC
Voltage Rating: 250V AC DC
Temperature Rating: $-40^{\circ}\text{C} \sim +105^{\circ}\text{C}$

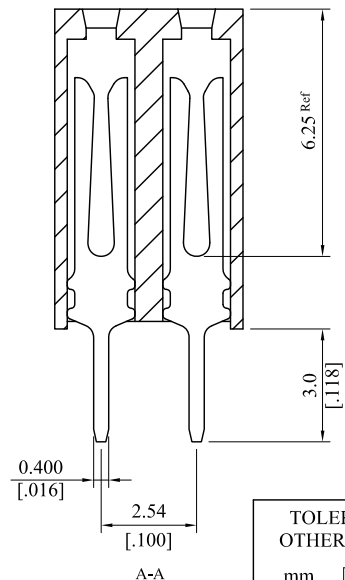
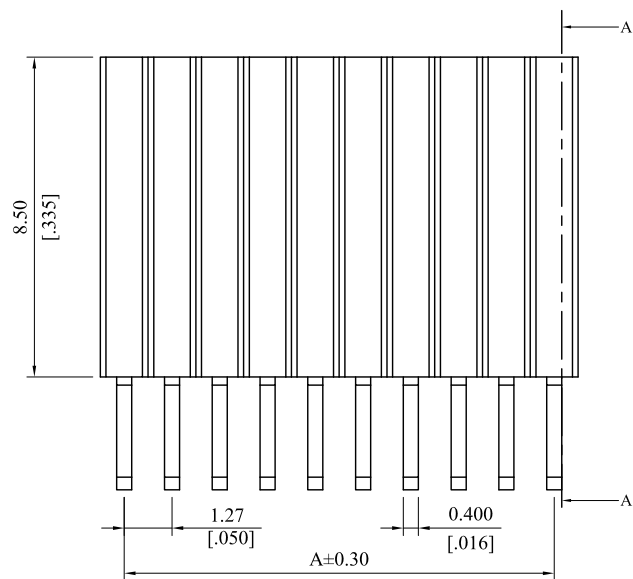
General part number:
1377S ** V * 00
1 2

1.No.of circuits(04~98)

2.Plating:

- T= Tin plated 120μ " min. 30μ " min. nickel overall
- U= Gold flash over 30μ " min. nickel overall
- F = Selective Gold flash on contact area over 30μ " min.
Nickel underplating overall, Tin plated on solder tails
- A = 10μ " min. Selective Gold on contact area over 30μ " min.
Nickel underplating overall, Tin plated on solder tails
- J = 15μ " min. Selective Gold on contact area over 30μ " min.
Nickel underplating overall, Tin plated on solder tails
- K = 30μ " min. Selective Gold on contact area over 30μ " min.
Nickel underplating overall, Tin plated on solder tails

A=1.27mm*No.of spaces
B=A+1.27mm



TOLERANCE UNLESS OTHERWISE SPECIFIED			LEOCO CORPORATION http://www.leoco.com.tw	
mm	mm	inch	APPROVED BY:	DATE:
1 PLACE	± 0.30	$\pm \text{---}$	Chard	2018.07.11
2 PLACES	± 0.20	$\pm \text{---}$	CHECKED BY:	DATE:
3 PLACES	± 0.10	$\pm \text{---}$	Shirley	2018.07.11
4 PLACES	$\pm \text{---}$	$\pm \text{---}$	DRAWN BY:	DATE:
ANGULAR $\pm 1^{\circ}$			Spring	2018.07.11
			SIZE: A3	SCALE: 1:1
			TITLE: 1.27*2.54mm Pitch Socket	
			PART NO.: 1377S**V*00	
			DRAWING NO.: 137701S	REV.: C
			SHEET: 1 OF 1	