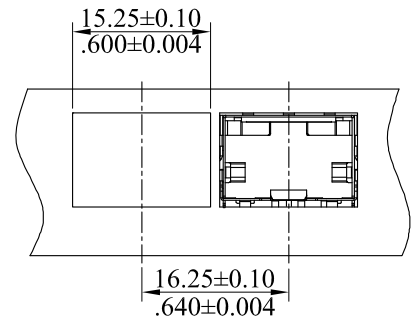
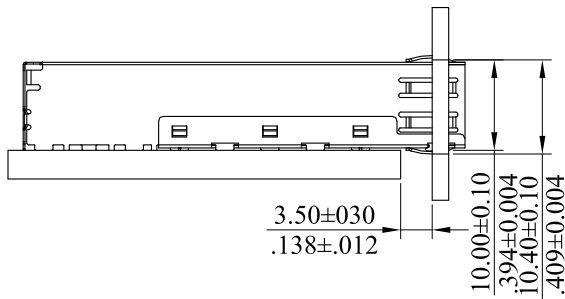
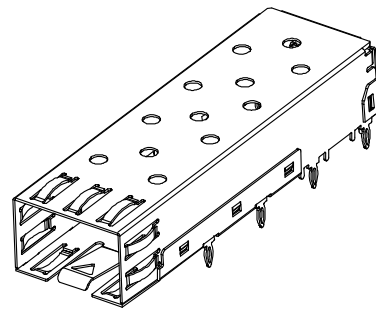
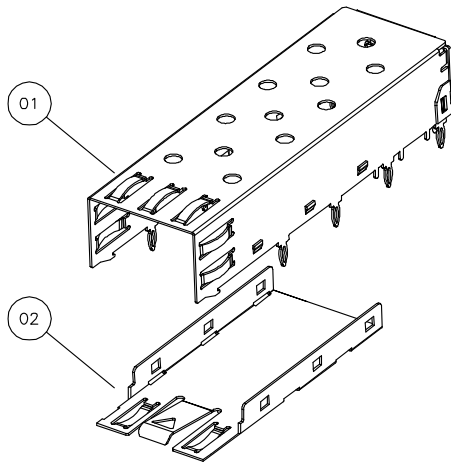
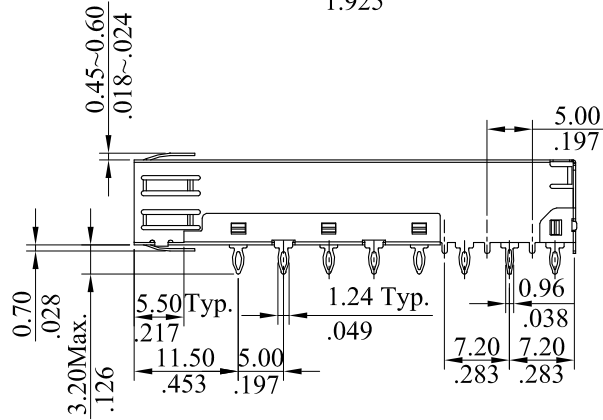
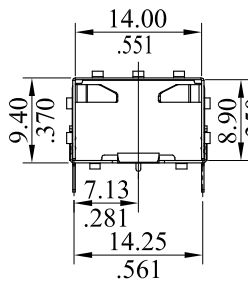
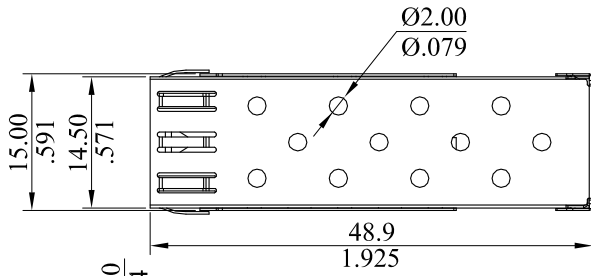


*** 1409 Series ***
Material: Copper Alloy

RoHS COMPLIANT



leoco LEOCO CORPORATION

GENERAL TOLERANCES:
(UNLESS SPECIFIED)

	mm	inch
1 PLACE	± 0.30	± ---
2 PLACES	± 0.20	± .012
3 PLACES	± 0.10	± .008
4 PLACES	± ---	± .004

ANGULAR ± (1°)

APPROVED:

DATE:

CHECKED:

DATE:

DRAWN:

DATE:

PART NO.:

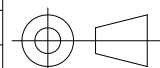
1409A010000

TITLE:

SFP SHELL

DRAWING NO.:

140902SA



UNITS
mm
inch

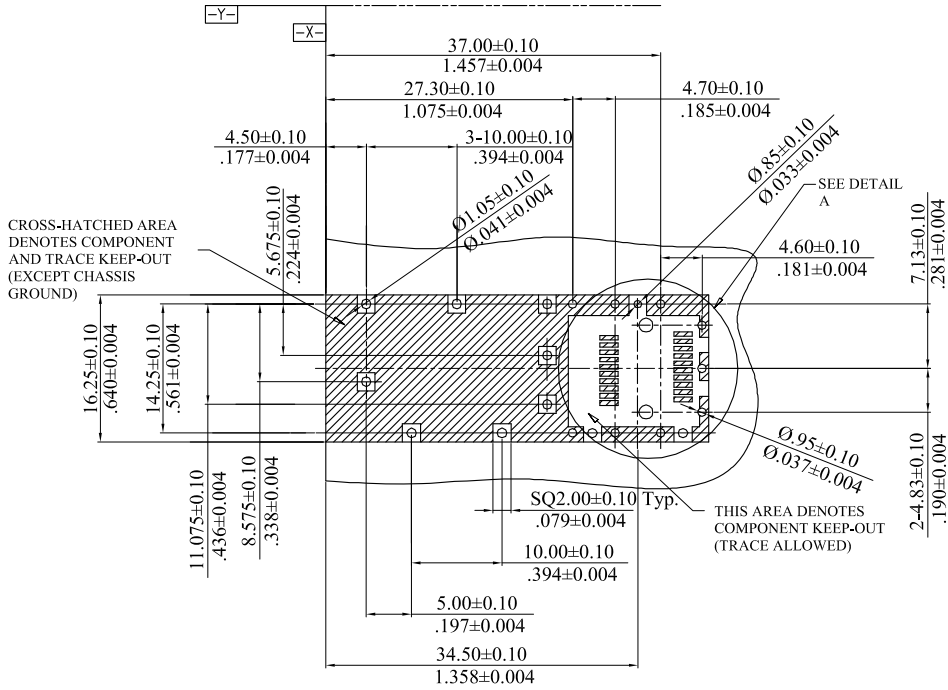
SCALE SIZE SHEET REV.

1:1 A4 1/2 A

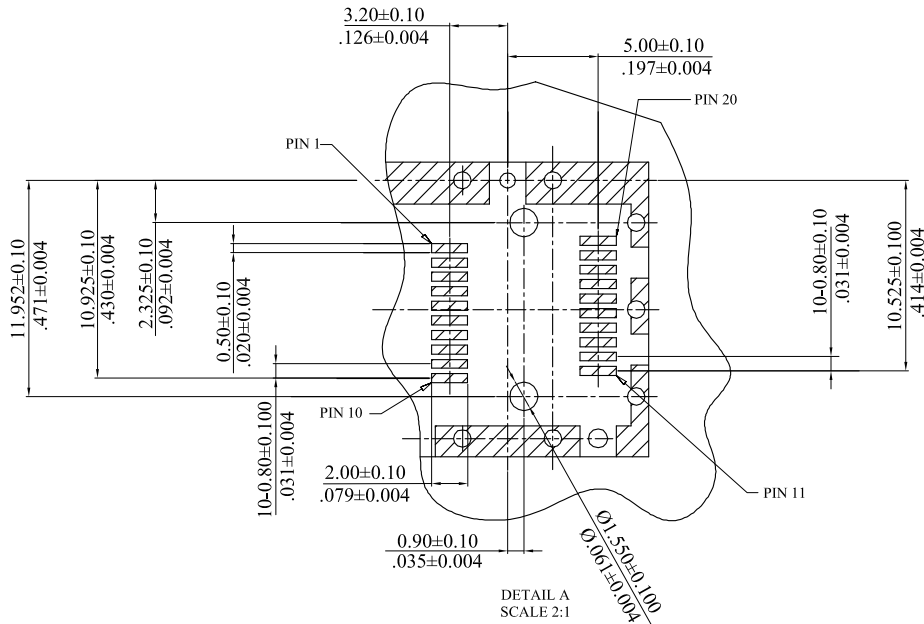
REV. ECO. NO. CHG. APP.

*** 1409 Series ***
Material: Copper Alloy

RoHS COMPLIANT



PCB LAYOUT COMPONENT SIDE TOLERANCE ±0.05,
THICKNESS=3.0mm(TOP VIEW)



				leoco LEOCO CORPORATION		APPROVED:		PART NO.: 1409A010000			
				GENERAL TOLERANCES: (UNLESS SPECIFIED)		DATE:		TITLE: SFP SHELL			
				mm inch		CHECKED:		DRAWING NO.: 140902SA			
				1 PLACE ± 0.30 ± --		DATE:		UNITS SCALE SIZE SHEET REV.			
				2 PLACES ± 0.20 ± .012		DRAWN:		mm 1:1 A4 2/2 A			
				3 PLACES ± 0.10 ± .008		DATE:		inch			
				4 PLACES ± -- ± .004		ANGULAR ± (1°)					
REV.	ECO. NO.	CHG.	APP.								