

\*\*\* 1409 Series \*\*\*

RoHS COMPLIANT

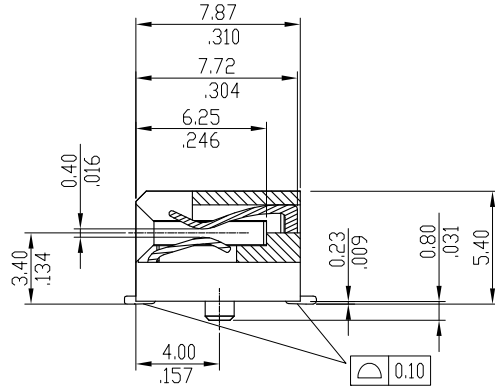
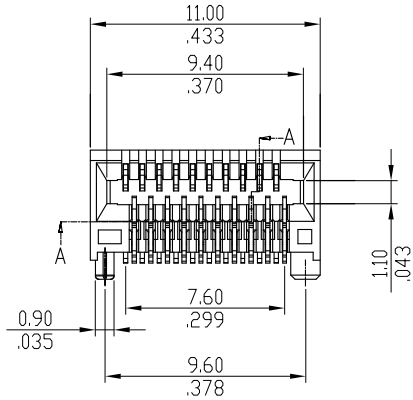
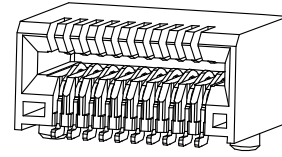
Material:

- \* Insulator: Thermalplastic UL94V-0, Black
- \* Terminal: Copper Alloy

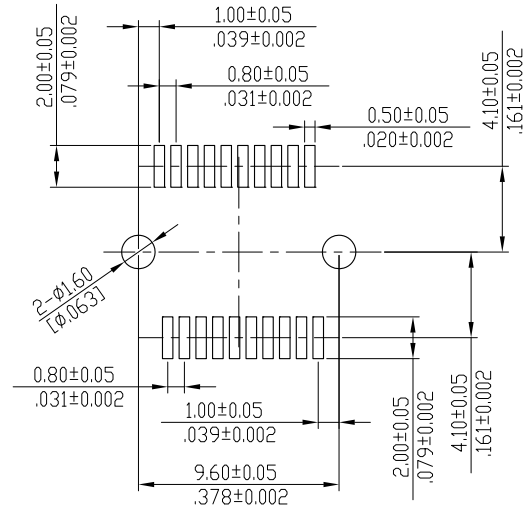
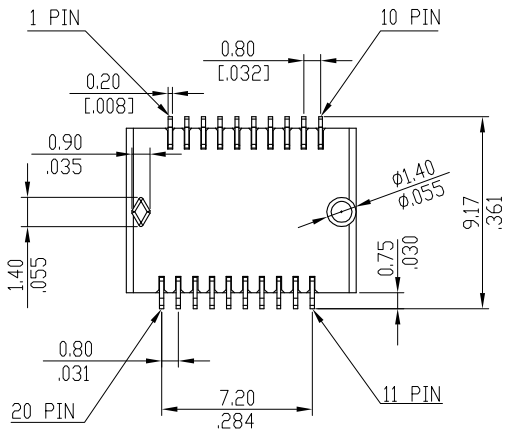
Ordering Information :

1409S20\*000

- J=Terminal selective 15u" Gold
- K=Terminal selective 30u" Gold



SECTION A-A



PCB LAYOUT

**leoco** LEOCO CORPORATION

GENERAL TOLERANCES:  
(UNLESS SPECIFIED)

	mm	inch
1 PLACE	± 0.30	± --
2 PLACES	± 0.20	± .012
3 PLACES	± 0.10	± .008
4 PLACES	± --	± .004

ANGULAR ±1°

APPROVED:

Henry

DATE:

CHECKED:

Topmoon

DATE:

DRAWN:

Tako

DATE:

PART NO.:

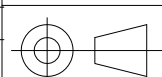
1409S20\*000

TITLE:

SFP 20P SMT Socket

DRAWING NO.:

140901S



UNITS  
mm  
inch

SCALE  
2:1

SIZE  
A4

SHEET  
1/1

REV.  
B

REV.	ECO. NO.	CHG.	APP.
B	ES110627		
A	DWG REL		