

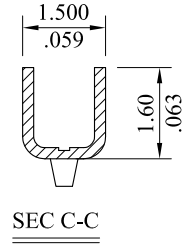
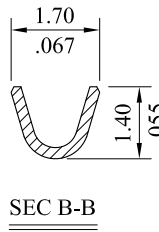
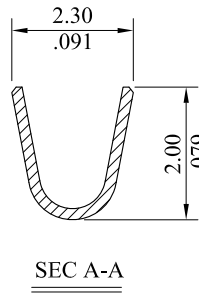
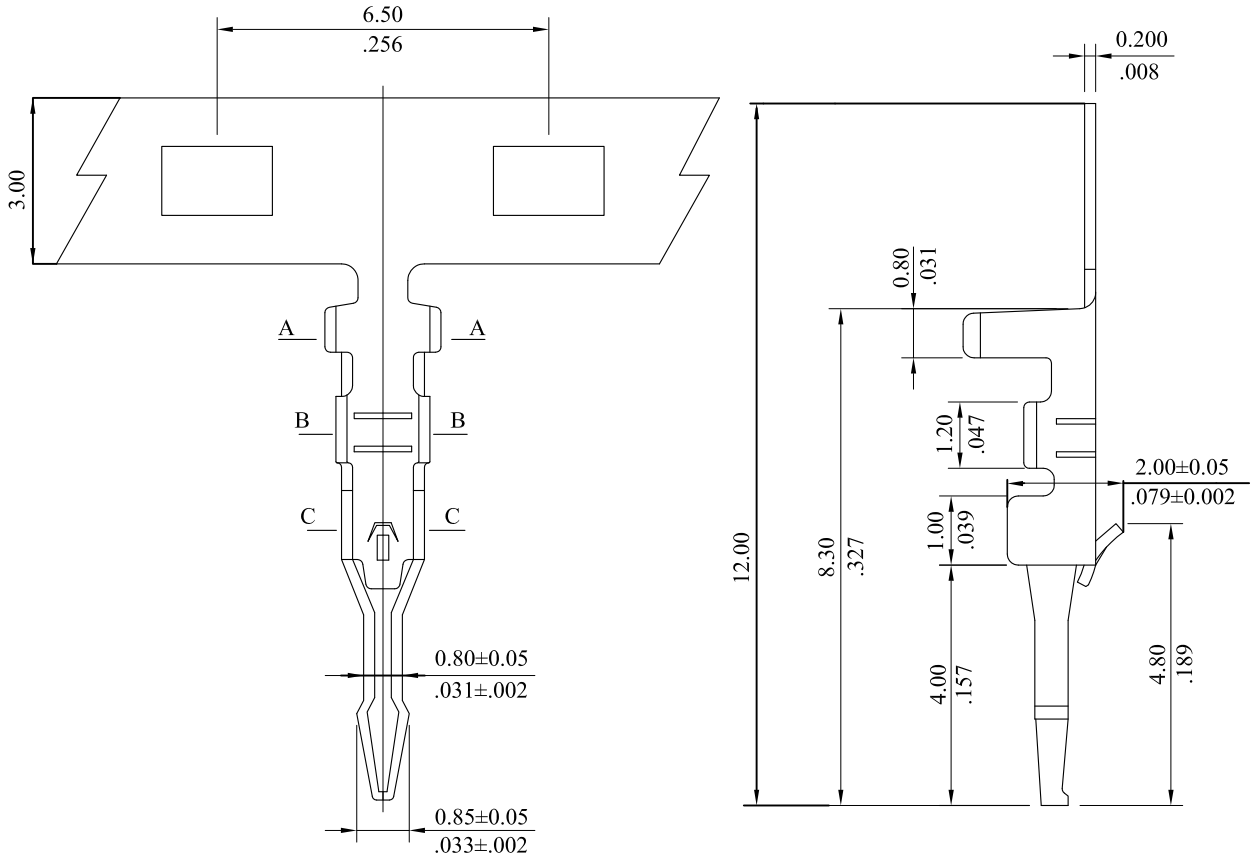
RoHS COMPLIANT

*** 2012 T Series ***

Material :

* Contact : Phosphor Bronze

* Plating : Tin Plated 120u" over 30u"min.nickel overall



F	ES151103	REMOVE THE ROUND HOLE OF MATERIAL, CHANGE SOME SIZES	LEOCO CORPORATION	APPROVED: CHARD	PART NO.:										
E	ES101222			DATE: 2015.11.09	2012TPBOVOA										
D	ES091209		GENERAL TOLERANCES: (UNLESS SPECIFIED)	CHECKED: ANGEL	TITLE:										
C	ES050767			DATE: 2015.11.09	TERMINAL										
B	ES040507			DRAWN: CANDICE	DRAWING NO.:										
REV.	ECO. NO.	DESCRIPTION		DATE: 2015.11.02	201201S										
					<table border="1"> <tr> <td>UNITS</td> <td>SCALE</td> <td>SIZE</td> <td>SHEET</td> <td>REV.</td> </tr> <tr> <td>mm inch</td> <td>7:1</td> <td>A4</td> <td>1/1</td> <td>F</td> </tr> </table>	UNITS	SCALE	SIZE	SHEET	REV.	mm inch	7:1	A4	1/1	F
UNITS	SCALE	SIZE	SHEET	REV.											
mm inch	7:1	A4	1/1	F											
			ANGULAR ± (1°)												