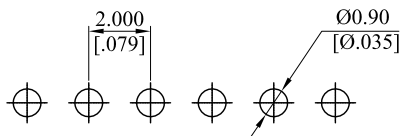
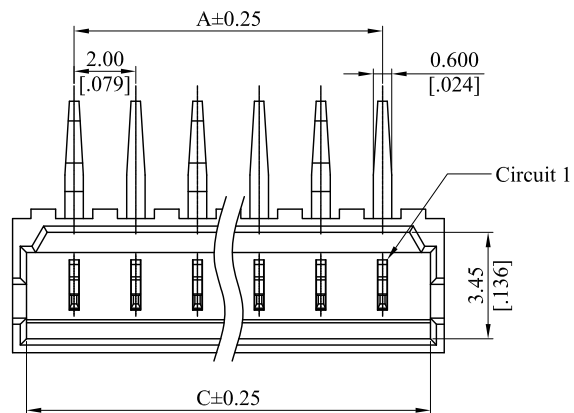


RoHS COMPLIANT

CUSTOMER DRAWING

REV.	ECO. NO.	DESCRIPTION	DATE
A	DWG. REL.	APPROVED	2018.04.19



Recommended PCB Layout

Note:

Material:

Insulator: Thermoplastic, UL94V-0, Natural

Contact: Copper Alloy/Tin Plated

General Part Number:

2015P ** H000

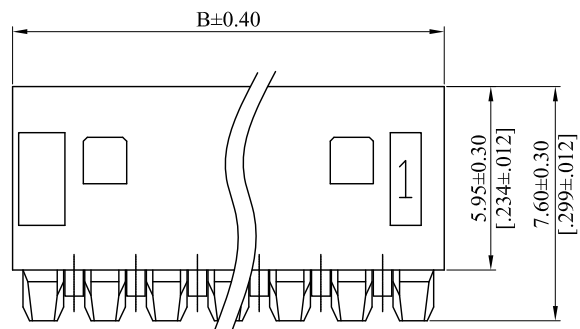
1

1.No. of circuits(02~15)

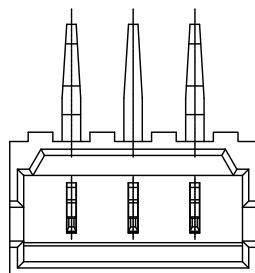
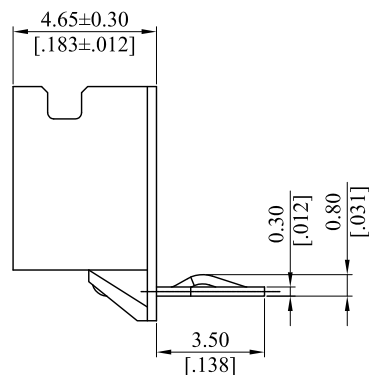
A= 2.00mm(.079")*No.of spaces

B= A+4.00mm(.157")

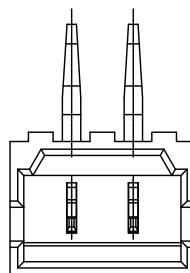
C= A+3.10mm(.122")



04P-15P



03P



02P

TOLERANCE UNLESS OTHERWISE SPECIFIED			LEOCO CORPORATION http://www.leoco.com.tw		
mm [inch]	mm	inch	APPROVED BY: Chard	DATE: 2018.04.19	TITLE: 2.00mm(.079") Pitch Wafer Right Angle Type
1 PLACE	± 0.30	± --	CHECKED BY: Angel	DATE: 2018.04.19	PART NO.: 2015P**H000
2 PLACES	± 0.20	± .012	DRAWN BY: Brian	DATE: 2018.04.19	
3 PLACES	± 0.10	± .008	SIZE: A3	SCALE: 1:1	
4 PLACES	± --	± .004	ANGULAR ±1°	SCALE: 1:1	
					DRAWING NO.: 201507S
					REV.: A
					SHEET: 1 OF 1