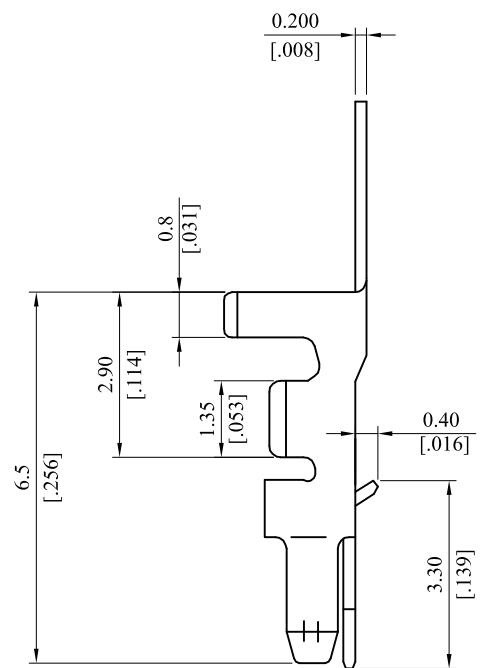
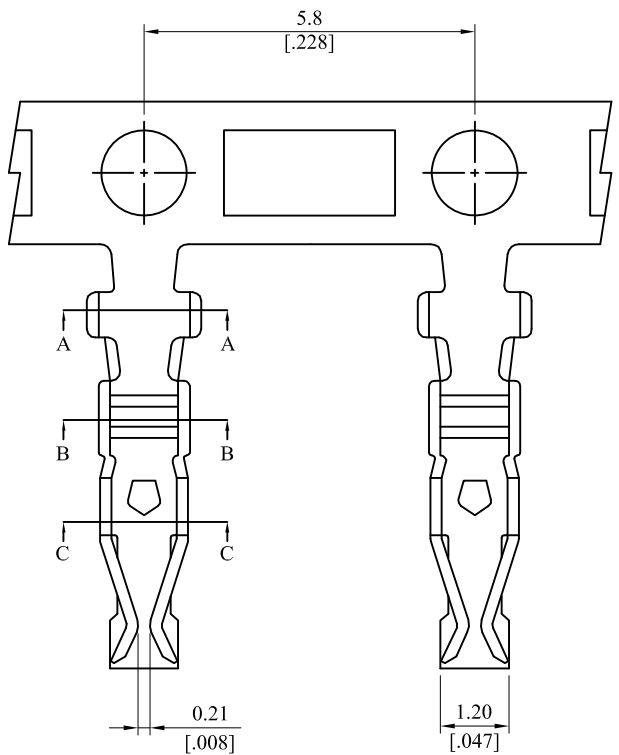


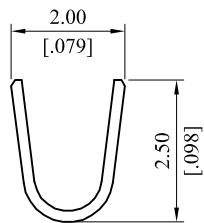
RoHS COMPLIANT

CUSTOMER DRAWING

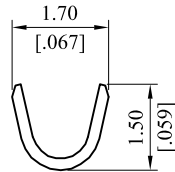
REV.	ECO. NO.	DESCRIPTION	DATE
A	DWG. REL.	APPROVED	2017.9.15



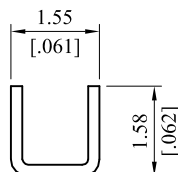
Note:  
 Material:  
 Contact: Phosphor Bronze/Tin plated  
 Wire range: AWG#22-#28



Section A-A



Section B-B



Section C-C

TOLERANCE UNLESS OTHERWISE SPECIFIED			LEOCO CORPORATION <i>http://www.leoco.com.tw</i>		
mm	mm	inch	APPROVED BY:	DATE:	TITLE:
[inch]			Chard	2017.09.15	2.00Pitch Crimping Terminal
1 PLACE	± 0.30	± ---	CHECKED BY:	DATE:	
2 PLACES	± 0.20	± .012	Cedric	2017.09.15	PART NO.: 2029TPB0000
3 PLACES	± 0.10	± .008	DRAWN BY:	DATE:	
4 PLACES	± ---	± .004	Jim	2017.09.15	DRAWING NO.: 202906S
ANGULAR ±1°			SIZE:	SCALE:	
			A3	1:1	A
			SHEET: 1 OF 1		