

Insulation: Nylon6T+30%G.F,UL94V-0
 Color: Black
 Contact: Phosphor bronze

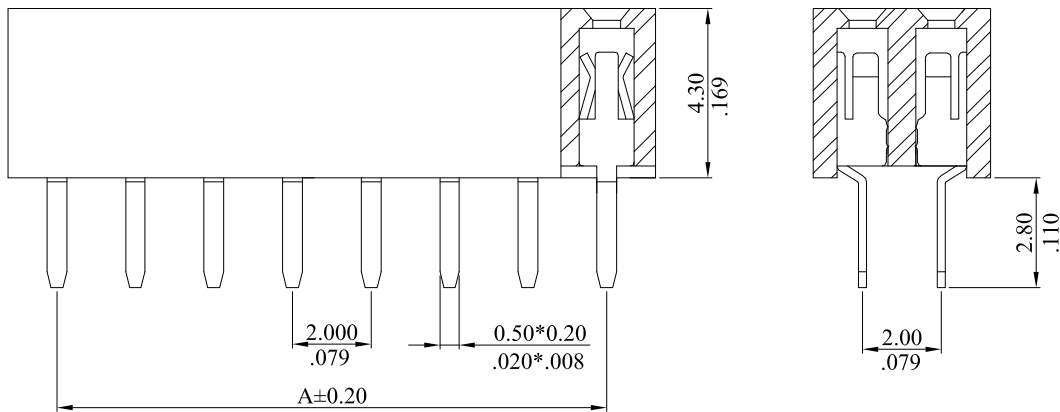
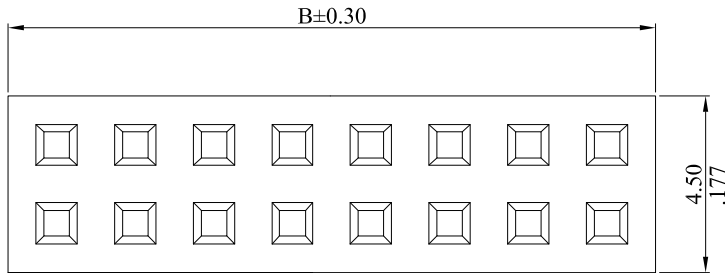
RoHS COMPLIANT

Ordering Information

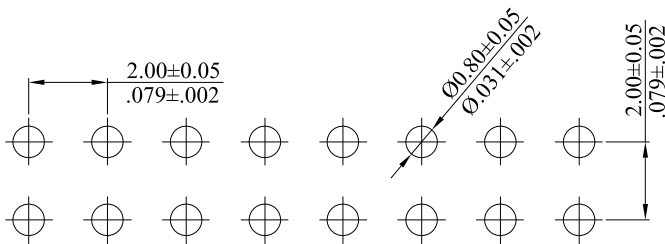
2042S**V*00
 1 2

1. No. of circuits
2. Plating :

T= Tin plated 120u" min. over 30u"min. nickel overall
 U= Gold flash over 30u"min. nickel overall
 W= 15u"min. gold over 30u"min. nickel overall
 Z= 30u"min. gold over 30u"min. nickel overall



$A = 2.00(.079) \times \text{No. of spaces}$
 $B = A + 2.50(.098)$



P.C.B LAYOUT

| | | | | | | | | | | |
|------|----------|------------------------|---|-------------------|--------------|---------------------|--------------|------------|--------------|-----------|
| G | ES140519 | Change 2042s series | LEOCO CORPORATION | APPROVED: TONY | | PART NO.: | | | | |
| F | ES120543 | | | DATE: | | 2042S**V*00 | | | | |
| E | ES101222 | | GENERAL TOLERANCES: (UNLESS SPECIFIED) | CHECKED: CHARD | | TITLE: | | | | |
| D | E970217 | | | DATE: | | 2.0Pitch Socket | | | | |
| C | E960057 | | DRAWN: JOYCE | | DRAWING NO.: | | | | | |
| REV. | ECO. NO. | CHANGE | DATE: 14.05.19 | | 204202S | | | | | |
| | | | ANGULAR ± (1°) | | | UNITS mm inch | SCALE 5:1 | SIZE A4 | SHEET 1/1 | REV. G |