

\*\*\* 2065 \*\*\*

Material :

\* Contact : Phosphor Bronze

\* Applicable wires: AWG#30~#26

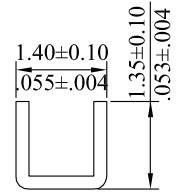
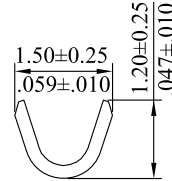
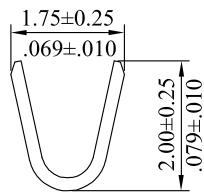
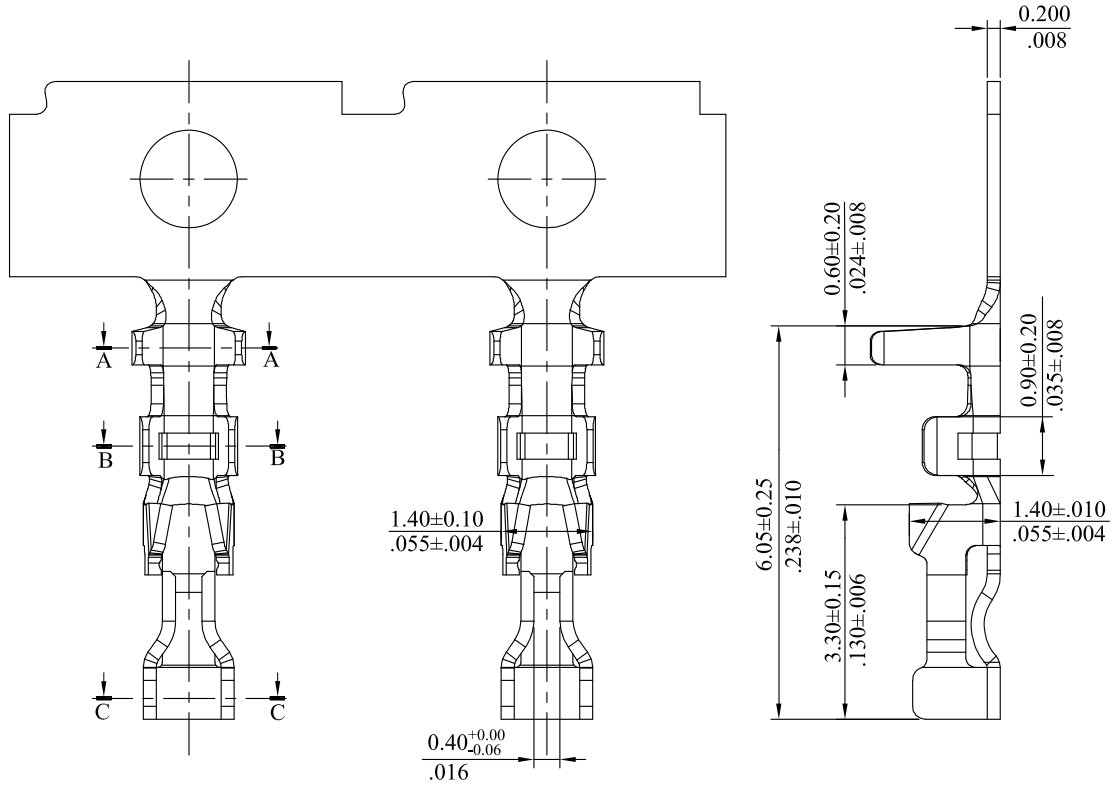
2065TPB \* 000

O=Tin plated 120u" min. over 30u"min. nickel overall

U=Selective gold flash over 30u"min. nickel overall

K=30u"min.selective gold flash over 30u"min. nickel overall

RoHS COMPLIANT



SEC:A-A

SEC:B-B

SEC:C-C

E	ES101222			LECO CORPORATION GENERAL TOLERANCES: (UNLESS SPECIFIED)	APPROVED:	PART NO.:				
D	ES081027				DATE:	2065TPB*000				
C	ES070937			mm	CHECKED:	TITLE:				
B	ES050417			inch	DATE:	TERMINAL				
A	DWG REL			1 PLACE ± 0.30 ± --	DRAWN:	DRAWING NO.:				
REV.	ECO. NO.	CHG.	APP.	2 PLACES ± 0.20 ± .012	DATE:	206501S				
				3 PLACES ± 0.10 ± .008		UNITS	SCALE	SIZE	SHEET	REV.
				4 PLACES ± -- ± .004		mm inch	4:1	A4	1/1	E
				ANGULAR ± ( 1° )						