

Material:

Insulator :Thermoplastic UL 94V-0,Black
 Contact: Copper alloy, T=0.25mm
 Shell : Metal, T=0.30mm;Nickel 50u" min,Plating overall.

RoHS COMPLIANT

Ordering Information

2075 S 0 * 0 L * 0
 1 2 3

1. Contact plating:

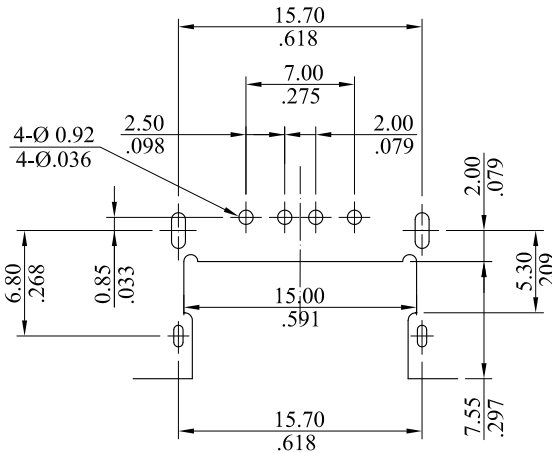
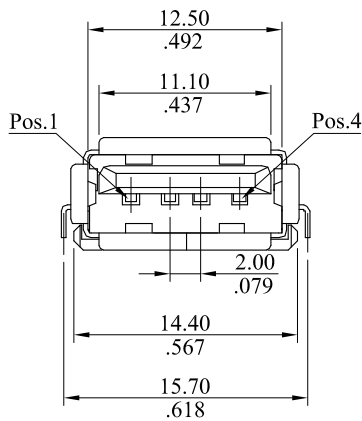
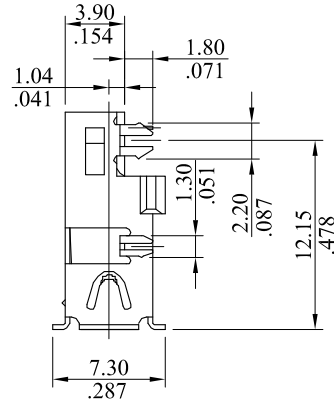
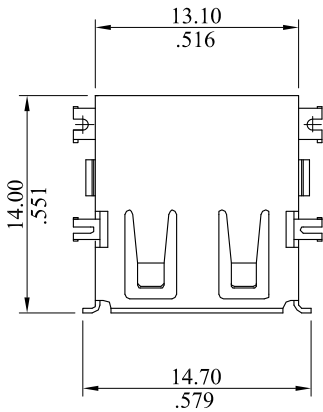
J= 15u" min.selective gold plated over 50μ"min. nickel
 K = 30μ"min. selective gold plated over 50μ"min. nickel
 F = Selective gold flash over 50μ"min.Nickel

2. Type:

L : Low Profile type

3. Color :

0 : Beige(Ivory) 1 : Black 2 : White



RECOMMENDED PCB LAYOUT
 THICKNESS 1.2mm

				LEOCO CORPORATION	APPROVED:		PART NO.:				
					DATE:		2075S0*0L*0				
				GENERAL TOLERANCES: (UNLESS SPECIFIED)		CHECKED:		TITLE:			
						DATE:		USB CONN.TYPE A R/A LOW PROFILE TYPE			
				1 PLACE		± 0.30	± --	DRAWING NO.:			
				2 PLACES		± 0.20	± .012				
				3 PLACES		± 0.10	± .008	UNITS SCALE SIZE SHEET REV. mm 2:1 A4 1/1 A inch			
				4 PLACES		± --	± .004				
A	DWG REL			ANGULAR ± (1°)							
REV.	ECO. NO.	CHG.	APP.								