

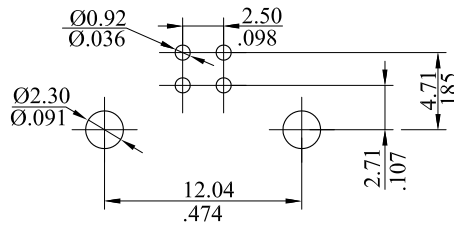
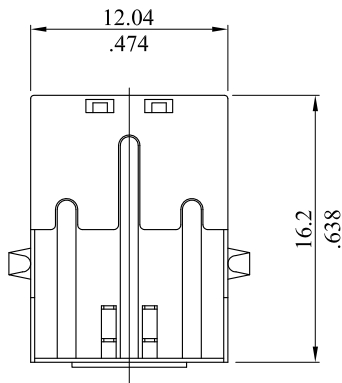
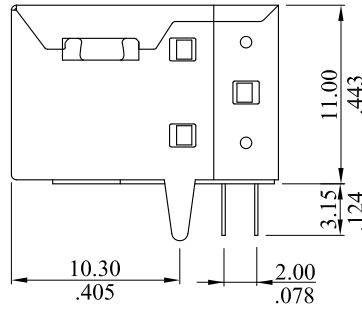
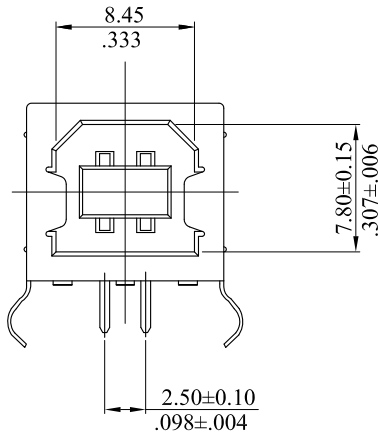
RoHS COMPLIANT

Materials:
 Insulator : PBT UL94V-0
 Contactor : Copper Alloy
 Front Shell : Copper Alloy
 Back Shell : Steel

Ordering information:
 2075 S 0 * B * * Z
 I 2 3

- Contact plating:
 U = Gold flash over 30u"min. nickel overall
 F = Selective gold flash over 30u"min.nickel
 J= 15u"min. selective gold plated over 30u"min. nickel
 K = 30u"min. selective gold plated over 30u"min. nickel
- Type: (H :right angle; V : straight)
 0 : H type; 1 : H type+rear shell
- Color :0 : Beige 1 : Black 2 : White

2075S0*B1*Z



RECOMMENDED HOLE PATTERN

E	ES130212			LEOCO CORPORATION	APPROVED:	PART NO.:				
D	ES101222				GENERAL TOLERANCES: (UNLESS SPECIFIED)	CHARD	2075S0*B**Z			
C	ES071037				CHECKED:	TITLE:				
B	ES051248				ANGEL	USB CONNECTOR				
A	DWG REL				DATE:	DRAWING NO.:				
REV.	ECO. NO.	CHG.	APP.		DRAWN:	207556S				
					SMILE	UNITS	SCALE	SIZE	SHEET	REV.
					DATE:2013.04.07	mm inch	2:1	A4	1/1	E
					ANGULAR ± (1°)					