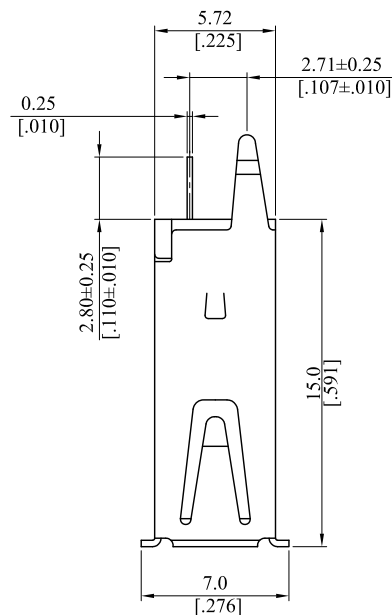
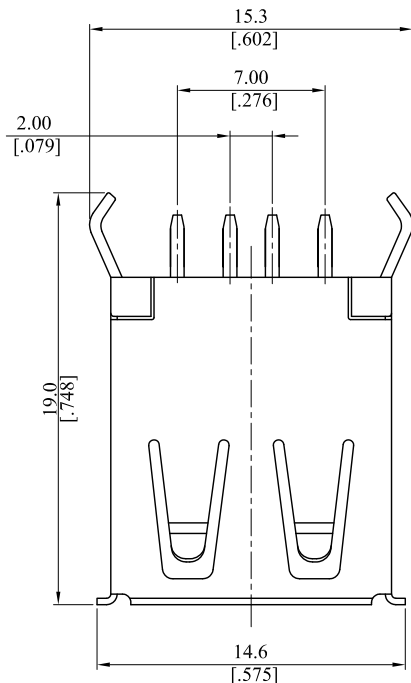


RoHS COMPLIANT

CUSTOMER DRAWING

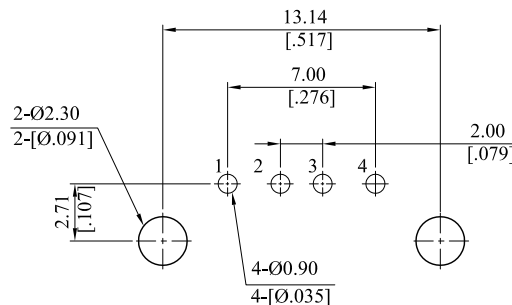
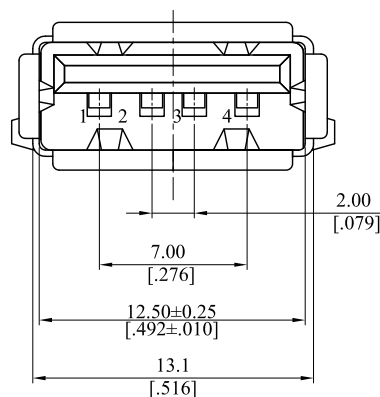
REV.	ECO. NO.	DESCRIPTION
A	DWG. REL.	Approved
B	ES071037	
C	ES101222	
D	ES130611	Update Dimensions
E	ES130636	Add Dimensions
F	ES160111	Update Dimensions
G	ES161211	Modify Size&Tolerance



Note:  
 Material:  
 Insulator: PBT, UL94 V-0, Black;  
 Contact: Phosphor Bronze;  
 Shell : Brass, Nickel.

Ordering Information:  
 2075 S 0 \* 0 4 \* Z  
 1 2

1. Plating:  
 F: Selective Gold flash on contact area over 30µ" min. Nickel underplating overall, Tin plated on solder tails.  
 K: 30u"min. Selective Gold on contact area over 30µ" min. Nickel underplating overall, Tin plated on solder tails;  
 2. Color :  
 1 : Black 2 : White



RECOMMENDED PCB LAYOUT

TOLERANCE=±0.05  
 THICKNESS=1.6±0.03mm

TOLERANCE UNLESS OTHERWISE SPECIFIED			LEOCO CORPORATION <a href="http://www.leoco.com.tw">http://www.leoco.com.tw</a>		
mm	mm	inch	APPROVED BY:	DATE:	TITLE:
[inch]			Chard	2017.03.21	USB A Type,DIP,Female With Rear Stopper
1 PLACE	± 0.30	± ---	CHECKED BY:	DATE:	
2 PLACES	± 0.20	± .012	Jack	2017.03.21	PART NO.: 2075S0*04*Z
3 PLACES	± 0.10	± .008	DRAWN BY:	DATE:	
4 PLACES	± ---	± .004	Sandra	2017.03.21	DRAWING NO.: 207557S
ANGULAR ±1°			SIZE:	SCALE:	
			A3	1:1	G
			SHEET: 1 OF 1		