

Ordering information:

2075 S 1 * 0 1 * Z

1 2

1. Contact plating:

J= 15u"min. seckective gold plated

K = 30u"min. selective gold plated

F = selective gold flash

2. Color :

1 : Black 2 : White

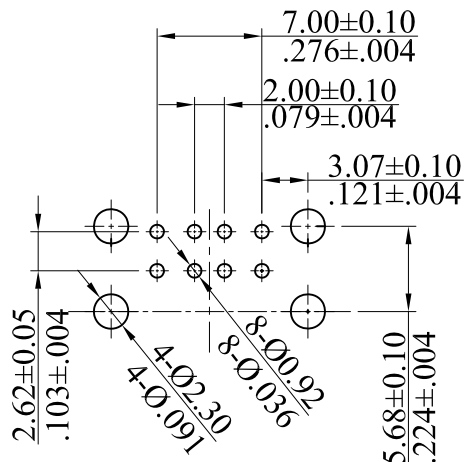
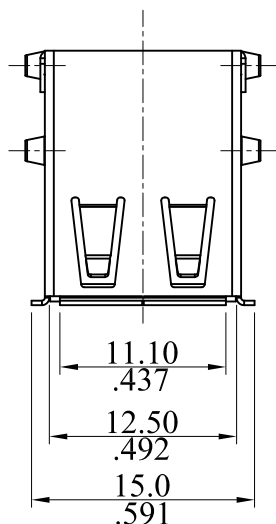
RoHS COMPLIANT

Material:

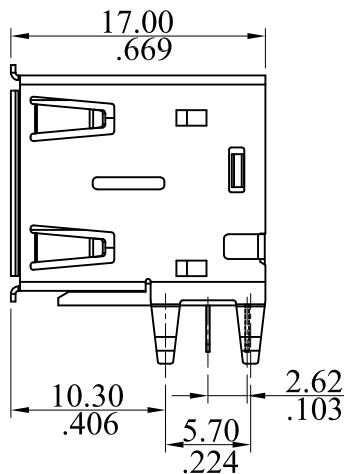
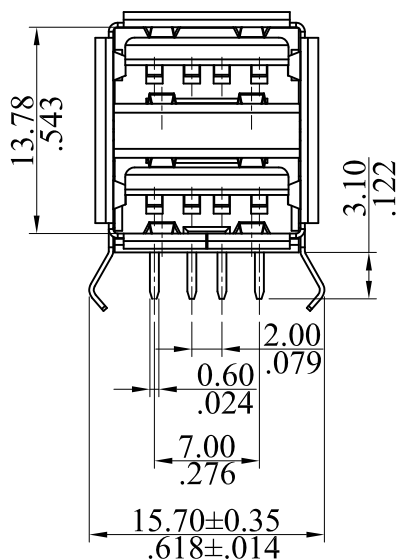
Insulator : PBT ,UL94V-0

Contact : Brass

Shell : Brass



PCB LAYOUT



			LEOCO CORPORATION			APPROVED: Tony	PART NO.: 2075S1*01*Z				
D	ES131215	Change shell concave	GENERAL TOLERANCES: (UNLESS SPECIFIED)			DATE: 02/11'14	TITLE: USB CONNECTOR				
C	ES101222										CHECKED: Chard
B	ES071037		1 PLACE	± 0.30	± --	DATE: 02/11'14	DRAWING NO.: 207559S				
A	DWG REL		2 PLACES	± 0.20	± .012	DRAWN: Chaos					
REV.	ECO. NO.	DESCRIPTION	3 PLACES	± 0.10	± .008	DATE: 02/11'14	UNITS	SCALE	SIZE	SHEET	REV.
			4 PLACES	± --	± .004		mm / inch	~	A4	1/1	D
			ANGULAR ± (1°)								