

**SPECIFICATIONS:**

**Electrical:**

Current Rating :1A AC DC

Contact Resistance : 30 mΩ MAX.

Withstanding Voltage :750V AC / min.

Insulation Resistance : 1000MΩ min.

**Material:**

Insulator : PBT +30%G.F, UL94V-0

Contact : Copper Alloy

Shell : H62

RoHS COMPLIANT

**Ordering information:**

2075S0 \* 00 \* C  
1 2

**1. Plating:**

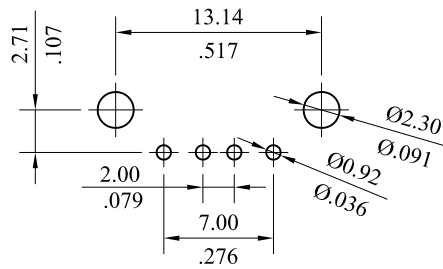
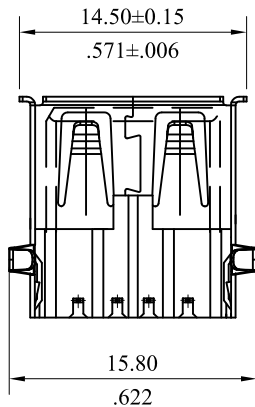
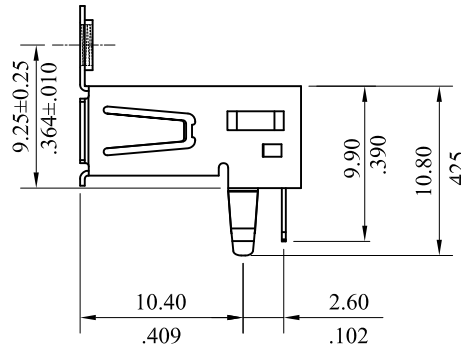
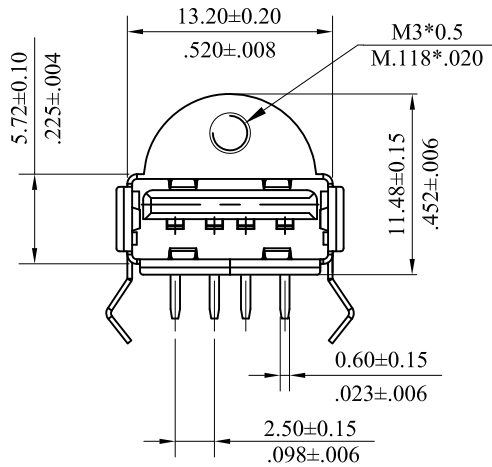
F =Selective gold flash on contact area over 30μ” min. nickel overall

J =15μ”min. Selective gold on contact area over 30μ” min.nickel overall

K=30μ”min. Selective gold on contact area over 30μ” min.nickel overall

**2. Color**

0 = WHITE 1 = BLACK



RECOMMENDED PCB LAYOUT

			LEOCO CORPORATION		APPROVED: Chard	PART NO.: 2075S0*00*C					
D	ES130428	ADD dimension C3: 9.25±0.25	GENERAL TOLERANCES: (UNLESS SPECIFIED)			DATE: 04/27/13	TITLE: USB A TYPE RECEPTACLE				
C	ES121109	Change 13.10±0.10 to 13.20±0.20				mm					inch
B	ES120716		1 PLACES	± 0.30	± ---	DATE: 04/27/13	DRAWING NO.: 207564S				
A	DWG REL		2 PLACES	± 0.20	± .012	DRAWN: Chaos					
REV.	ECO. NO.	DISCRIPTION	3 PLACES	± 0.10	± .008	DATE: 04/27/13	UNITS	SCALE	SIZE	SHEET	REV.
			4 PLACES	± ---	± .004		$\frac{\text{mm}}{\text{inch}}$	2:1	A4	1/1	D
			ANGULAR ± (1°)								