

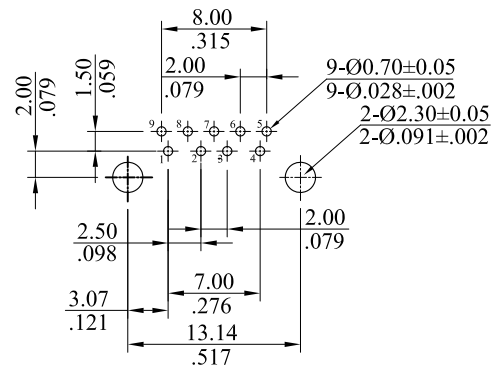
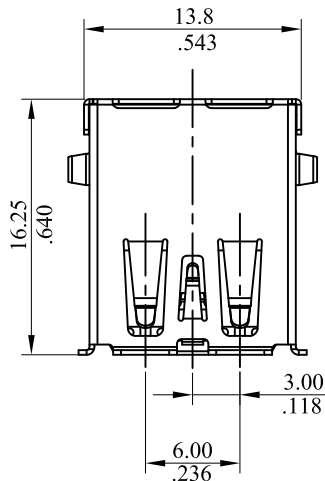
Material:  
 Housing: THERMOPLASTIC,UL94V-0.  
 USB2.0 Contact:Copper alloy  
 USB3.0 Contact:Copper alloy  
 SHELL: SUS304.

RoHS COMPLIANT

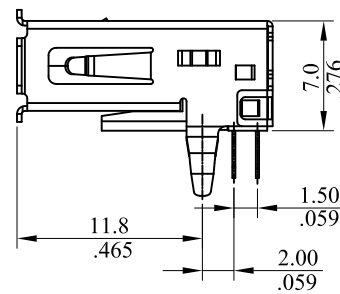
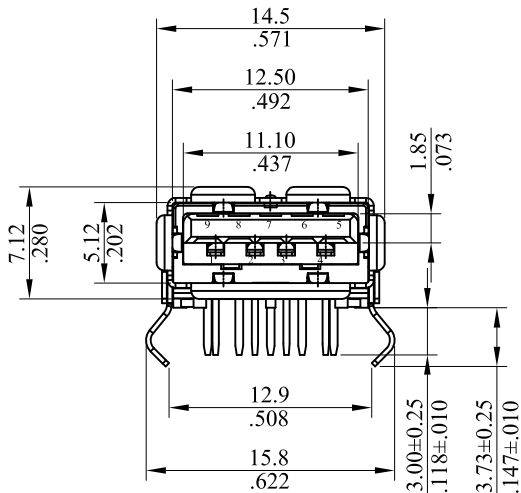
Ordering Information

2077 S A H \* \* 00  
 1 2 3 4 5 6

1. Series No.
2. S = Receptacle
3. A = Single-A Type.
4. Shell and Terminal type:  
 H=Shell Right angle and Terminal Through hole Type.
5. Contact Plating:  
 F = Selective gold flash over 30µ" min. nickel plated overall  
 J = 15µ"min.selective gold plated over 30µ" min.nickel overall  
 K = 30µ"min.selective gold plated over 30µ" min.nickel overall
6. Color:1=Black 2=White 0=Ivory 7=Blue



Recommended PCB Layout



			LEOCO CORPORATION			APPROVED: Chard		PART NO.:							
			GENERAL TOLERANCES: (UNLESS SPECIFIED)			DATE: 04/27/13		2077SAH**00							
						CHECKED: Smile									
						DATE: 04/27/13		TITLE: USB 3.0 A TYPE RECEPTACLE 90° DIP TYPE							
						DRAWN: Chaos									
						DATE: 04/27/13		DRAWING NO.:							
B	ES130423	PRODUCT CHANGE	1 PLACE	± 0.30	± --	UNITS mm inch		SCALE		SIZE		SHEET		REV.	
A	DWG REL		2 PLACES	± 0.20	± .012										
			3 PLACES	± 0.10	± .008										
			4 PLACES	± --	± .004										
REV.	ECO. NO.	DESCRIPTION	ANGULAR ± ( 1° )					2:1		A4		1/1		B	