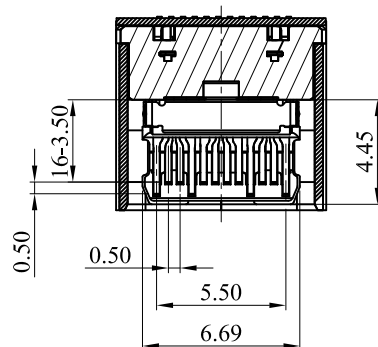
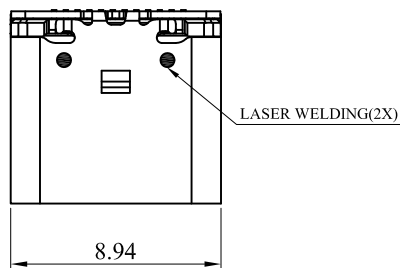


RoHS COMPLIANT

CUSTOMER DRAWING

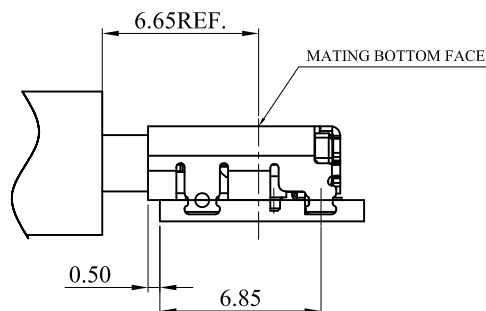
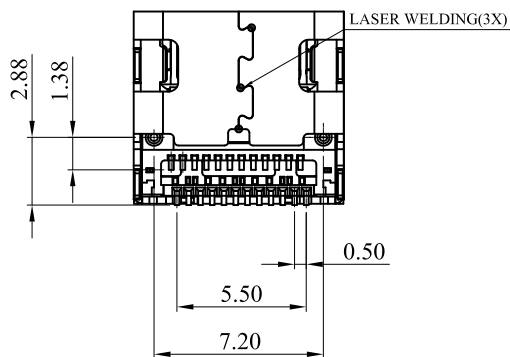
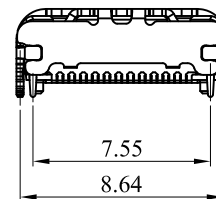
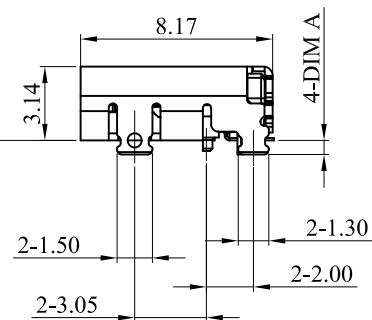
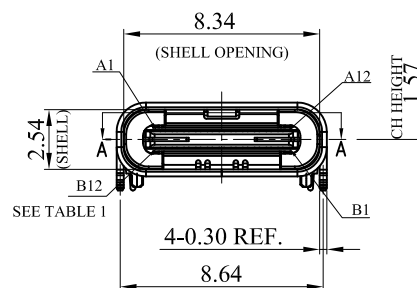
REV.	ECO. NO.	DESCRIPTION	DATE
A	DWG. REL.	APPROVED	2017.10.23



Note:
Material:
Housing: thermoplastic, UL94 V-0, black.
Contact pin: Copper alloy;
Shell: Stainless steel.
plating 50~150 μ "Nickel over all.

General part number:
2079 S C B * 1B1
1

1. Plating:
F= Selective Gold flash on contact area over 30 μ " min. Nickel underplating overall, Tin plated on solder tails.
J= 15 μ " min. Selective Gold on contact area over 30 μ " min. Nickel underplating overall, Tin plated on solder tails.
K= 30 μ " min. Selective Gold on contact area over 30 μ " min. Nickel underplating overall, Tin plated on solder tails.

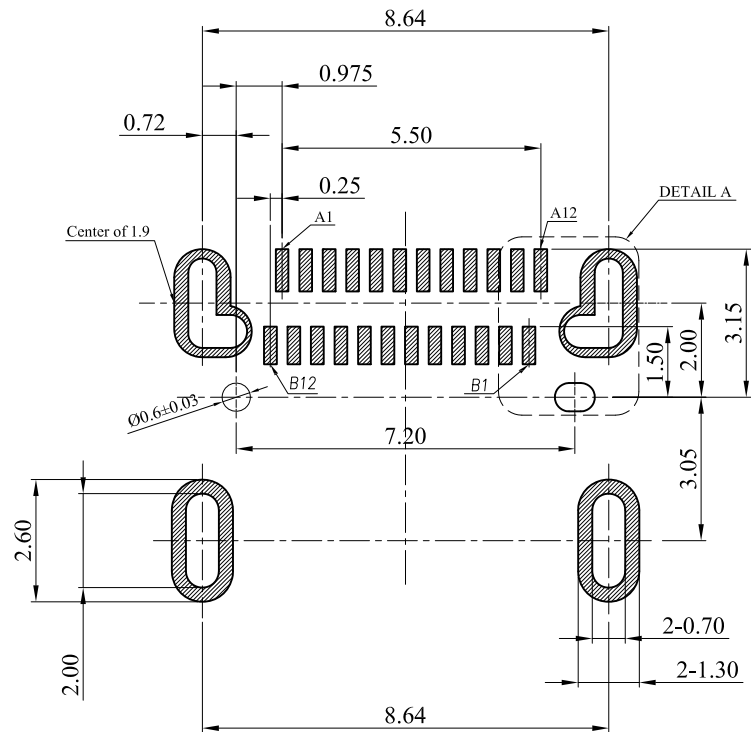


PIN ASSIGNMENT			
PIN NUMBER	SIGNAL NAME	PIN NUMBER	SIGNAL NAME
A1	GND	B12	GND
A2	SSTXp1	B11	SSRXp1
A3	SSTXn1	B10	SSRXn1
A4	VBUS	B9	VBUS
A5	CC1	B8	SBU1
A6	Dp1	B7	Dn2
A7	Dn1	B6	Dp2
A8	SBU1	B5	CC2
A9	VBUS	B4	VBUS
A10	SSRXn2	B3	SSTXn2
A11	SSRXp2	B2	SSTXp2
A12	GND	B1	GND

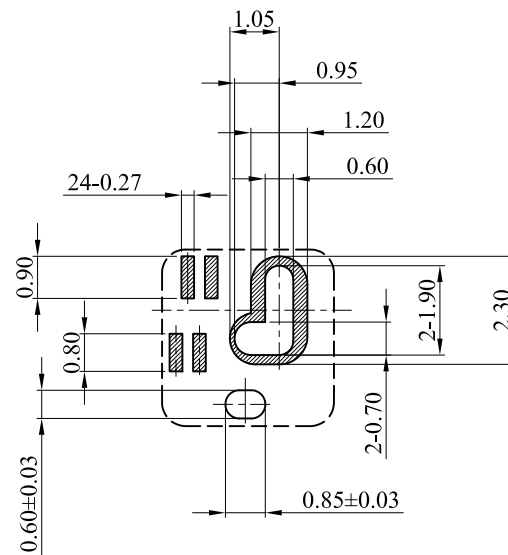
TOLERANCE UNLESS OTHERWISE SPECIFIED			LEOCO CORPORATION http://www.leoco.com.tw	
mm	mm	inch	APPROVED BY:	DATE:
1 PLACE	± 0.30	± ---	Gordon	2017.10.23
2 PLACES	± 0.20	± ---	CHECKED BY:	DATE:
3 PLACES	± 0.10	± ---	Dawei	2017.10.23
4 PLACES	± ---	± ---	DRAWN BY:	DATE:
ANGULAR ±1°			Candice	2017.10.23
			SIZE: A3	SCALE: 1:1
			TITLE: USB Type C, Receptacle Connector Top mount, Dual-Row SMT	
			PART NO.: 2079SCB*1B1	
			DRAWING NO.: 207909S	REV.: A
			SHEET: 1 OF 2	

RoHS COMPLIANT


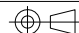
CUSTOMER DRAWING			
REV.	ECO. NO.	DESCRIPTION	DATE
A	DWG. REL.	APPROVED	2017.10.23



RECOMENDED PCB LAYOUT(TOP VIEW) SCALE 2:1
 (DATUM Z:PCB SOLDER SURFACE)
 DEFAULT TOLERANCE:±0.05mm



DETAIL A
 SCALE 2:1

TOLERANCE UNLESS OTHERWISE SPECIFIED			 LEOCO CORPORATION http://www.leoco.com.tw		
mm	mm	inch	APPROVED BY:	DATE:	TITLE:
1 PLACE	± 0.30	± ---	Gordon	2017.10.23	USB Type C,Receptacle Connector Top mount,Dual-Row SMT
2 PLACES	± 0.20	± ---	CHECKED BY:	DATE:	
3 PLACES	± 0.10	± ---	Dawei	2017.10.23	PART NO.: 2079SCB*1B1
4 PLACES	± ---	± ---	DRAWN BY:	DATE:	
ANGULAR ±1°			Candice	2017.10.23	DRAWING NO.: 207909S
			SIZE: A3	SCALE: 1:1	
					SHEET: 2 OF 2