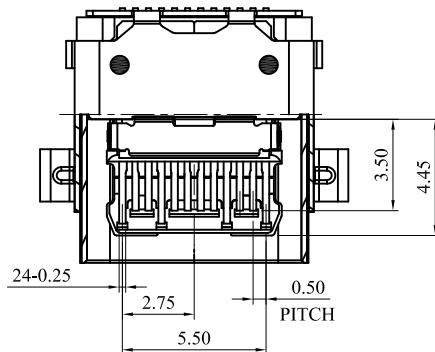
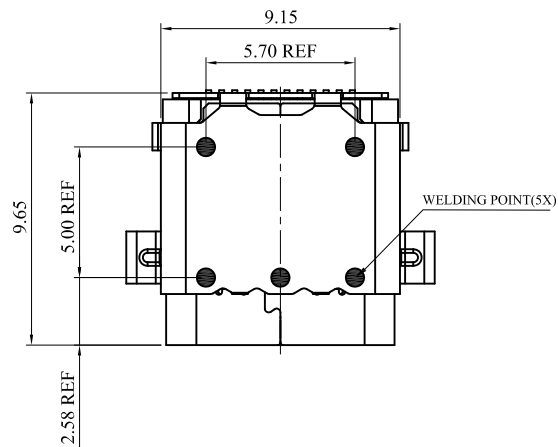


REV.	ECO. NO.	DESCRIPTION	DATE
A	DWG. REL.	APPROVED	2017.10.23



SECTION B-B  
SCALE 1:1

Notes:  
 Material:  
 Housing: Thermoplastic, Black,  
 Flame Resistance UL94 V-0;  
 Contact pin: copper alloy;  
 Shell: Stainless steel.

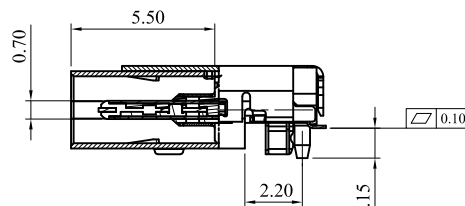
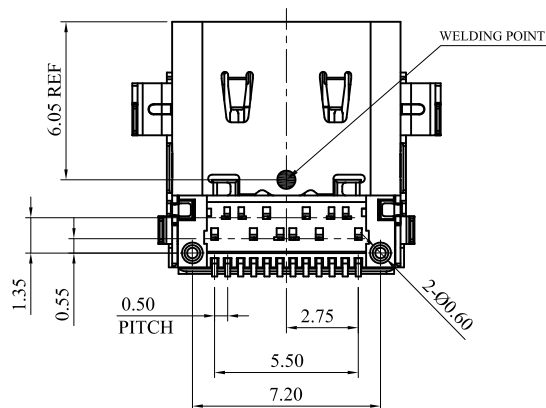
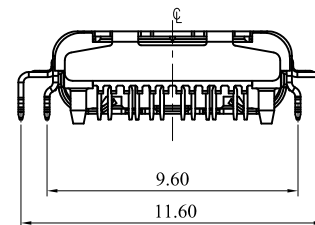
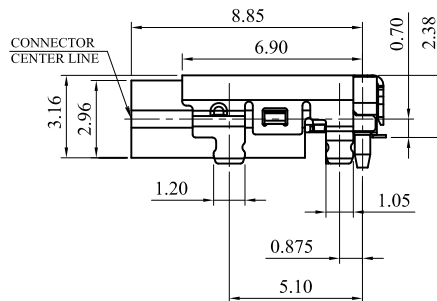
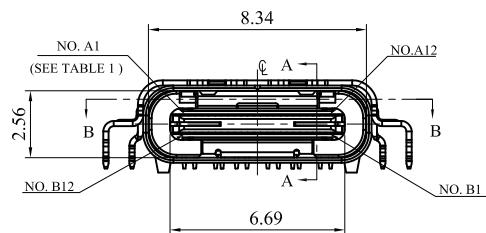
General part number:  
 2079 S C C \* 1B2  
 I

1. Plating:

F= Selective Gold flash on contact area over 30μ" min. Nickel underplating overall, Tin plated on solder tails.

J= 15μ" min. Selective Gold on contact area over 30μ" min. Nickel underplating overall, Tin plated on solder tails.

K= 30μ" min. Selective Gold on contact area over 30μ" min. Nickel underplating overall, Tin plated on solder tails.



SECTION A-A  
SCALE 1:1

TOLERANCE UNLESS OTHERWISE SPECIFIED			<b>LEOCO CORPORATION</b> <a href="http://www.leoco.com.tw">http://www.leoco.com.tw</a>		
mm	mm	inch	APPROVED BY:	DATE:	TITLE:
1 PLACE	± 0.30	± ---	CHECKED BY:	DATE:	USB Type-C Receptacle Connector Mid-mount, Hybrid(SMT+TH)
2 PLACES	± 0.20	± ---	DRAWN BY:	DATE:	
3 PLACES	± 0.10	± ---	SIZE:	SCALE:	PART NO.:
4 PLACES	± ---	± ---	A3	1:1	2079SCC*1B2
ANGULAR ±1°			DRAWING NO.:		
			207910S		
			REV.:		
			A		
			SHEET:		
			1 OF 2		

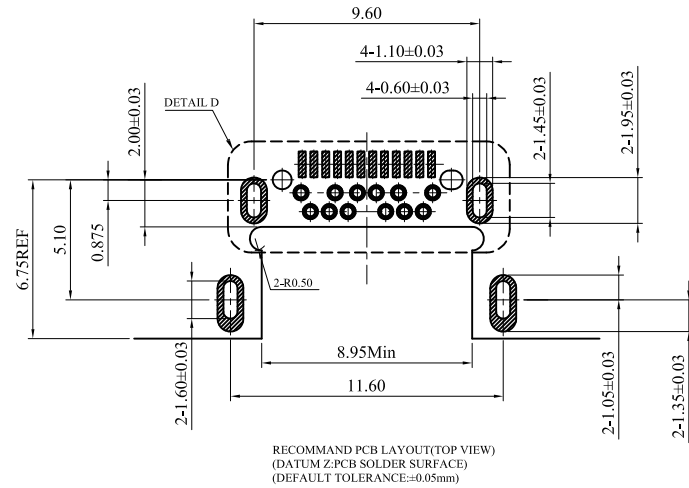
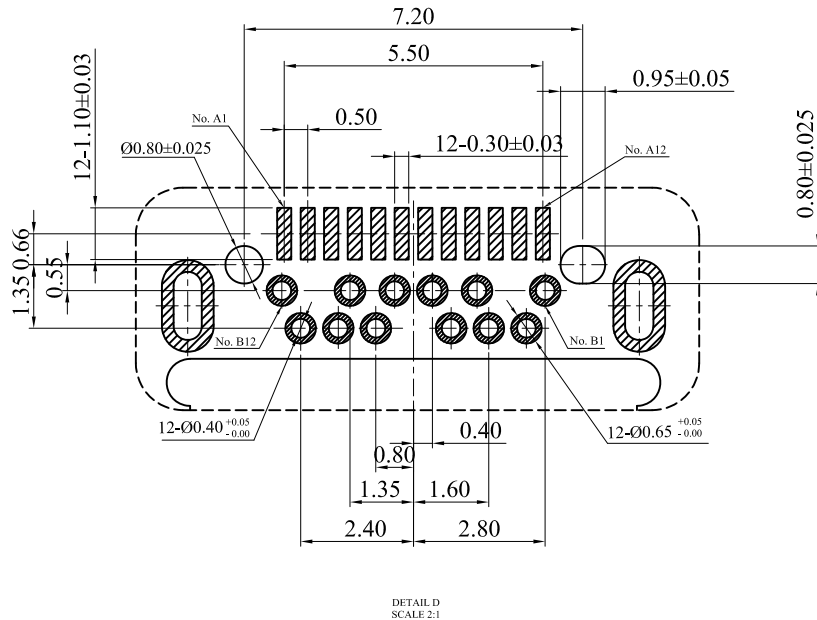


TABLE 1: CONNECTOR PIN ASSIGNMENTS

PIN NUMBER	SIGNAL NAME	PIN NUMBER	SIGNAL NAME
A1	GND	B12	GND
A2	SSTXp1	B11	SSRXp1
A3	SSTXn1	B10	SSRXn1
A4	VBUS	B9	VBUS
A5	CC1	B8	SBU2
A6	Dp1	B7	Dn2
A7	Dn1	B6	Dp2
A8	SBU1	B5	CC2
A9	VBUS	B4	VBUS
A10	SSRXn2	B3	SSRTn2
A11	SSRXp2	B2	SSTXp2
A12	GND	B1	GND



TOLERANCE UNLESS OTHERWISE SPECIFIED			<b>LEOCO CORPORATION</b> <a href="http://www.leoco.com.tw">http://www.leoco.com.tw</a>		
mm	mm	inch	APPROVED BY:	DATE:	TITLE:
1 PLACE	± 0.30	± ---	CHECKED BY:	DATE:	USB Type-C Receptacle Connector Mid-mount, Hybrid(SMT+TH)
2 PLACES	± 0.20	± ---	DRAWN BY:	DATE:	
3 PLACES	± 0.10	± ---	SIZE:	SCALE:	PART NO.:
4 PLACES	± ---	± ---	A3	1:1	2079SCC*1B2
ANGULAR ±1°					
			DRAWING NO.:	REV.:	SHEET:
			207910S	A	2 OF 2