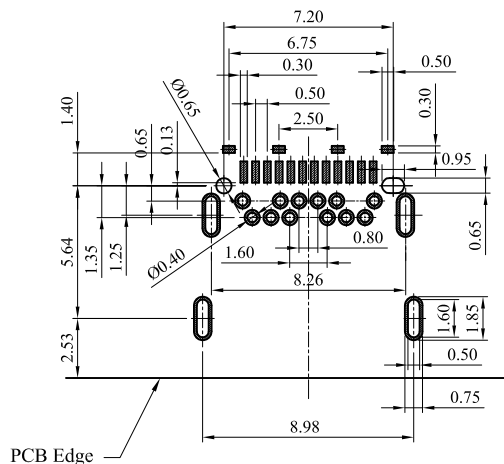
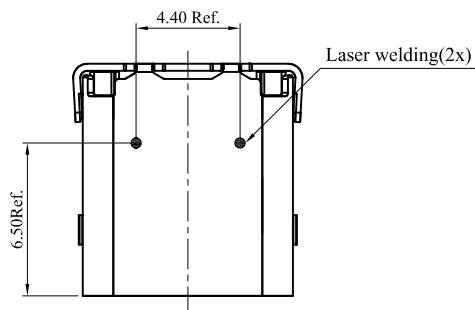


RoHS COMPLIANT

CUSTOMER DRAWING

REV.	ECO. NO.	DESCRIPTION	DATE
A	DWG. REL.	APPROVED	2017.10.23



RECOMMENDED PCB LAYOUT

TOLERANCE: ±0.05 mm

Note:

Material:

Housing: thermoplastic, UL94 V-0, black.

Contact pin: Copper alloy;

Shell: Stainless steel.

plating 50~150μ"Nickel over all.

General part number:

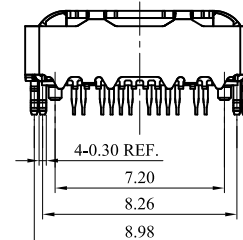
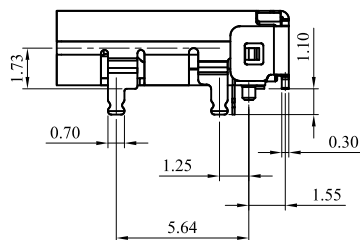
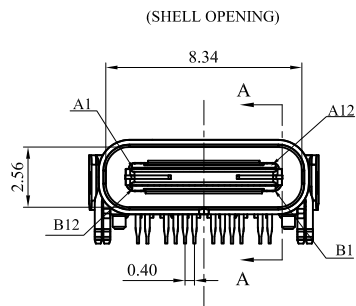
2079 S C C * 1B3
1

1. Plating:

F= Selective Gold flash on contact area over 30μ" min. Nickel underplating overall, Tin plated on solder tails.

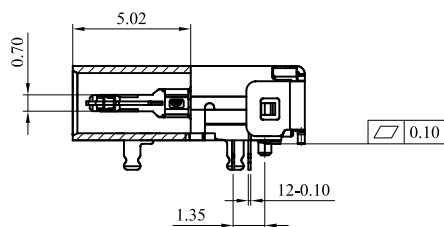
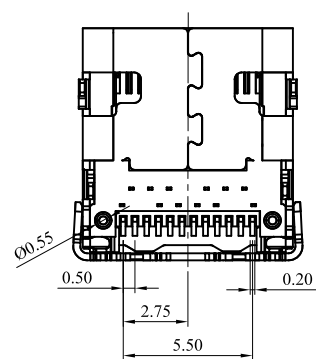
J= 15μ"min.Selective Gold on contact area over 30μ"min.Nickel underplating overall, Tin plated on solder tails.

K= 30μ"min.Selective Gold on contact area over 30μ"min.Nickel underplating overall, Tin plated on solder tails.



PIN ASSIGNMENT

PIN NUMBER	SIGNAL NAME	PIN NUMBER	SIGNAL NAME
A1	GND	B12	GND
A2	SSTXp1	B11	SSRXp1
A3	SSTXn1	B10	SSRXn1
A4	VBUS	B9	VBUS
A5	CC1	B8	SBU1
A6	Dp1	B7	Dn2
A7	Dn1	B6	Dp2
A8	SBU1	B5	CC2
A9	VBUS	B4	VBUS
A10	SSRXn2	B3	SSTXn2
A11	SSRXp2	B2	SSTXp2
A12	GND	B1	GND



SECTION A-A
SCALE 1:1

TOLERANCE UNLESS OTHERWISE SPECIFIED			LEOCO CORPORATION http://www.leoco.com.tw		
mm	mm	inch	APPROVED BY:	DATE:	TITLE:
1 PLACE	± 0.30	± ---	Gordon	2017.10.23	USB Type C, Receptacle Connector Top Mount, Hybrid(SMT+TH)
2 PLACES	± 0.20	± ---	CHECKED BY:	DATE:	
3 PLACES	± 0.10	± ---	Dawei	2017.10.23	PART NO.: 2079SCC*1B3
4 PLACES	± ---	± ---	DRAWN BY:	DATE:	
			Candice	2017.10.23	
ANGULAR ±1°			SIZE:	SCALE:	DRAWING NO.: 207911S
			A3	1:1	
					REV.: A
					SHEET: 1 OF 1