

RoHS COMPLIANT

\*\*\* 2403 \*\*\*

Material:

Contact : Brass & Phosphor Bronze

Ordering Information:

2403T\*B \* 0V1  
 $\frac{1}{1} \frac{2}{2}$

1.P:Phosphor Bronze C:Brass

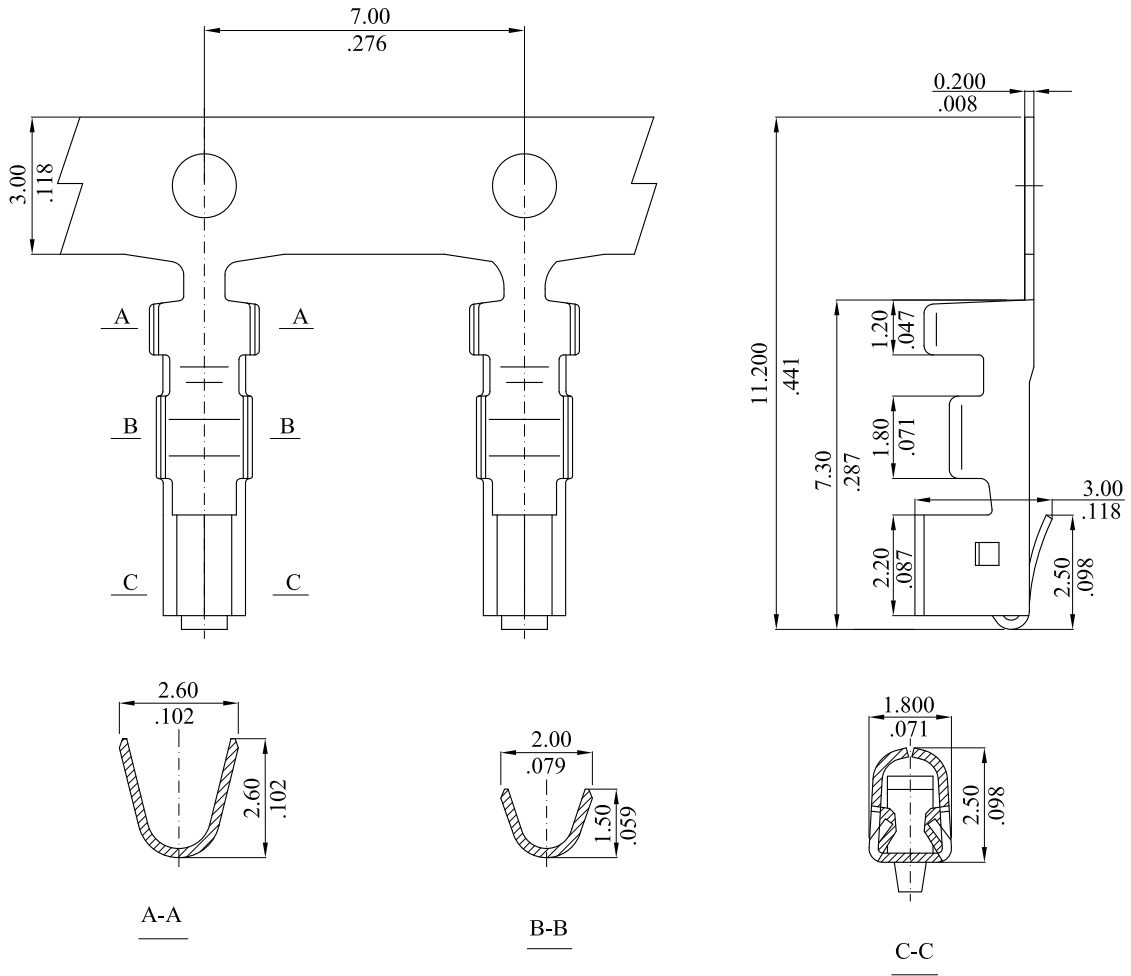
2.Plating:

0= Tin plated 120u"min. over 30u"min. nickel overall

U= Selective gold flash over 30u"min. nickel overall

J= Selective 15u"min. gold over 30u"min. nickel overall

K= Selective 30u"min. gold over 30u"min. nickel overall



|      |          |      |      |   |  |           |                   |                          |      |       |      |
|------|----------|------|------|---|--|-----------|-------------------|--------------------------|------|-------|------|
|      |          |      |      | <b>leoco</b> LEOCO CORPORATION            |  | APPROVED: |                   | PART NO.:<br>2403T*B*0V1 |      |       |      |
| D    | ES101254 |      |      | GENERAL TOLERANCES:<br>(UNLESS SPECIFIED) |  | DATE:     |                   | TITLE:<br>TERMINAL       |      |       |      |
| C    | ES060124 |      |      |   |  | CHECKED:  |                   |                          |      |       |      |
| B    | ES050417 |      |      |   |  |           |                   | DRAWING NO.:<br>240301S  |      |       |      |
| A    | DWG REL  |      |      |   |  |           |                   |                          |      |       |      |
| REV. | ECO. NO. | CHG. | APP. | ANGULAR ± ( 1° )                          |  |           | UNITS             | SCALE                    | SIZE | SHEET | REV. |
|      |          |      |      |   |  |           | $\frac{mm}{inch}$ | 4:1                      | A4   | 1/1   | D    |