

RoHS COMPLIANT

CUSTOMER DRAWING			
REV.	ECO. NO.	DESCRIPTION	DATE
E	ES061136		
F	ES101107		
G	ES101254		
H	ES140211		
I	ES161218	Change slot depth	2016.12.26

Note:

Material:
Insulator: PA66, UL94V-0
Contact: Brass

Ordering Information:

2501P ** * 000
1 2

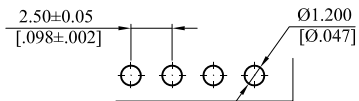
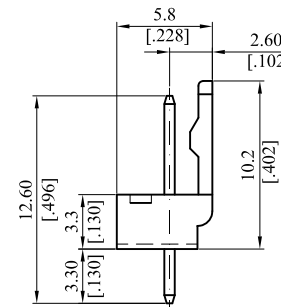
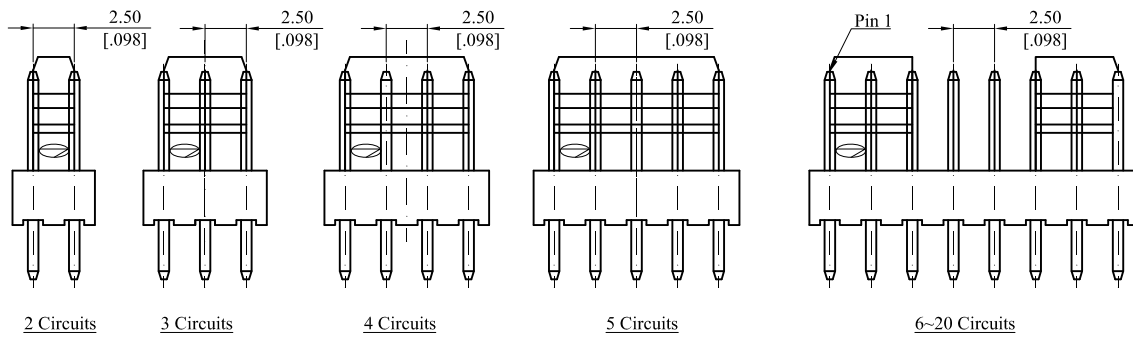
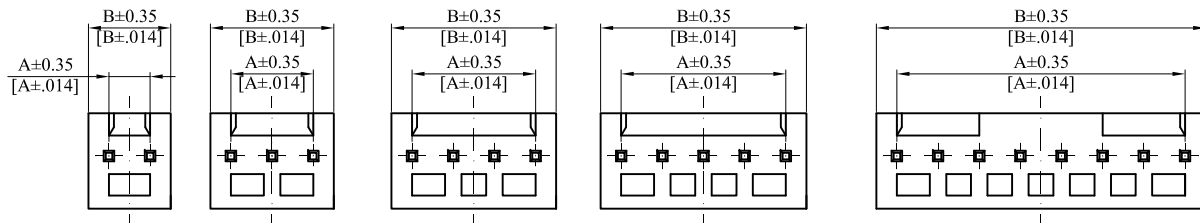
1.No.of circuits(2~20P)

2.Plating:

0=Tin plated 120μ" min. over 30μ" min. Nickel underplating overall
Z=30μ" min. Gold over 30μ" min. Nickel underplating overall
W=15μ" min. Gold over 30μ" min. Nickel underplating overall

A=2.50(.098")xNo.of Spaces

B=A+2.50(.098")



Recommended Hole Pattern

TOLERANCE UNLESS OTHERWISE SPECIFIED			LEOCO CORPORATION http://www.leoco.com.tw		
mm	mm	inch	APPROVED BY:	DATE:	TITLE:
[inch]			Chard	2016.12.26	2.50mm Pitch Header
1 PLACE	± 0.30	± ---	CHECKED BY:	DATE:	
2 PLACES	± 0.20	± .012	Angle	2016.12.26	
3 PLACES	± 0.10	± .008	DRAWN BY:	DATE:	PART NO.:
4 PLACES	± ---	± .004	Tess	2016.12.26	2501P***000
ANGULAR ±1°			SIZE:	SCALE:	DRAWING NO.:
			A3	1:1	250103S
					REV.:
					I
					SHEET:
					1 OF 1