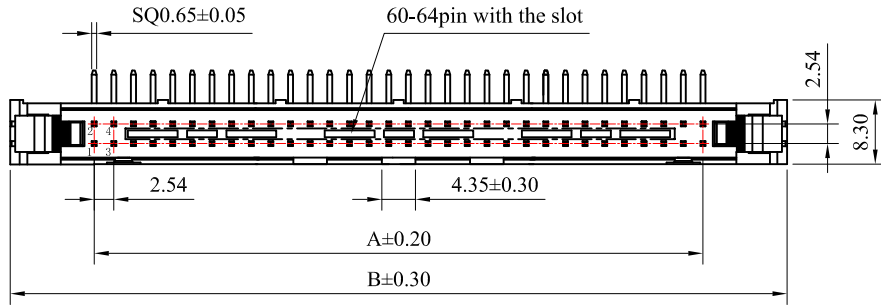


RoHS COMPLIANT

CUSTOMER DRAWING			
REV.	ECO. NO.	DESCRIPTION	DATE
B	ES071009		
C	ES101242		
D	ES211102	Update view Area B-6: Add Pin description	2021.11.16



Material:
Insulator: Thermoplastic, UL94V-0,Black
Contact: Brass

06~18P: Without Slot "a" and "b"
20~58P: Without Slot "a" ,With Slot "b"
60~64P: With Slot "a" and "b"

General Part Number:

2545P ** H * AL
1 2

1.No.of circuits(06~64)

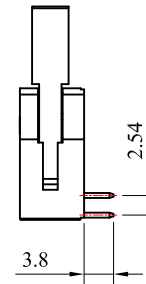
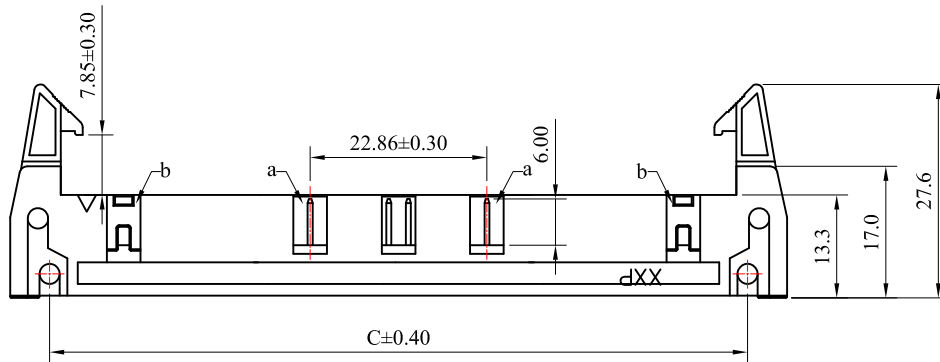
2.Plating

T=Tin plated 120u"min.over 30u" min. Nickel underplating overall
U=Gold flash over 30u" min. Nickel underplating overall

A=2.54mm *No.of spaces

B=A+21.74mm

C=A+11.54mm



Recommended PCB Layout
PCB Board Tolerance±0.05

TOLERANCE UNLESS OTHERWISE SPECIFIED			LEOCO CORPORATION http://www.leoco.com.tw		
mm	mm	inch	APPROVED BY:	DATE:	TITLE:
1 PLACE	± 0.30	± ---	Chard	2021.11.16	2.54 Pitch Ejector Header
2 PLACES	± 0.20	± ---	CHECKED BY:	DATE:	
3 PLACES	± 0.10	± ---	Angel	2021.11.16	PART NO.: 2545P**H*AL
4 PLACES	± ---	± ---	DRAWN BY:	DATE:	
ANGULAR ±1°			Spring	2021.11.16	DRAWING NO.: 254523S
SIZE:	SCALE:	ANGULAR:	A3	1:1	
			SHEET:		1 OF 1