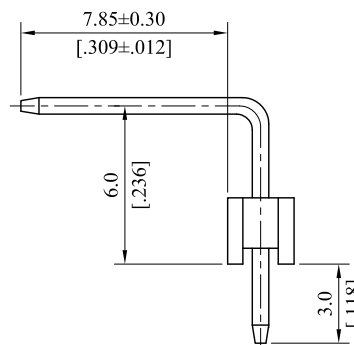
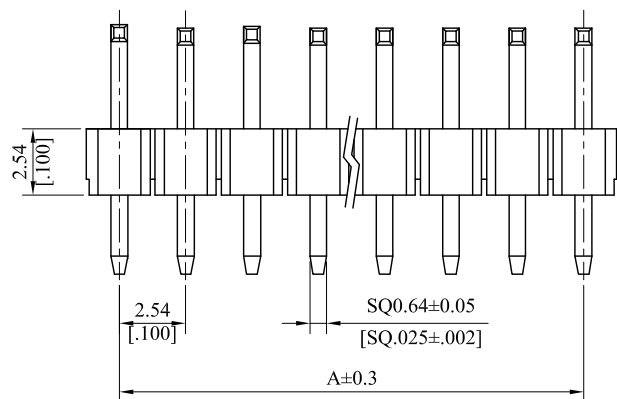
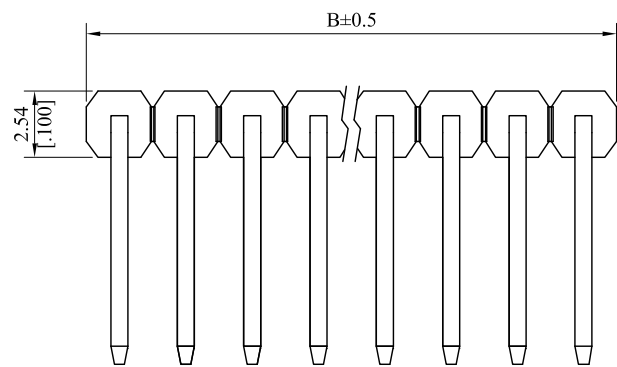


RoHS COMPLIANT

CUSTOMER DRAWING			
REV.	ECO. NO.	DESCRIPTION	DATE
A	DWG REL		
D	ES970242		
E	ES060535		
F	ES071009		
G	ES101242		
H	ES180501	Material: PBT--High Temperature Thermoplastic	2018.05.03



Material:
 Insulator: High Temperature Thermoplastic, UL94V-0,Black
 Contact: Brass

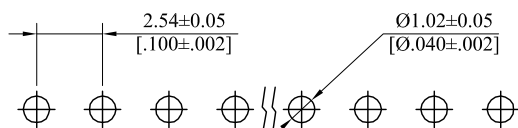
General Part Number:
 2557P ** *000
 1 2

1.No.of circuits(1~40)

2.Plating

T= Tin plated 120u"min. over 30u" min. Nickel underplating overall
 M= Matte Tin plated 80u"min. over 30u" min. Nickel underplating overall
 U= Gold flash over 30u" min. Nickel underplating overall
 W= 15u" min. Gold over 30u" min. Nickel underplating overall
 Z= 30u" min. Gold over 30u" min. Nickel underplating overall
 F= Selective Gold flash on contact area over 30u" min. Nickel underplating overall, Tin plated on solder tails
 J= 15u" min. Selective Gold on contact area over 30u" min. Nickel underplating overall, Tin plated on solder tails
 K= 30u" min. Selective Gold on contact area over 30u" min. Nickel underplating overall, Tin plated on solder tails

A=2.54mm *No.of spaces
 B=A+2.54mm



Recommended PCB Layout

TOLERANCE UNLESS OTHERWISE SPECIFIED			LEOCO CORPORATION http://www.leoco.com.tw		
mm	mm	inch	APPROVED BY:	DATE:	TITLE:
[inch]			Chard	2018.05.03	2.54 Pitch Pin Header
			CHECKED BY:	DATE:	
1 PLACE	± 0.30	± --	Shirley	2018.05.03	PART NO.: 2557P***000
2 PLACES	± 0.20	± .012	Spring	2018.05.03	
3 PLACES	± 0.10	± .008			DRAWING NO.: 255701S
4 PLACES	± --	± .004			
ANGULAR ±1°			SIZE:	SCALE:	REV.:
			A3	1:1	H
			SHEET:		1 OF 1