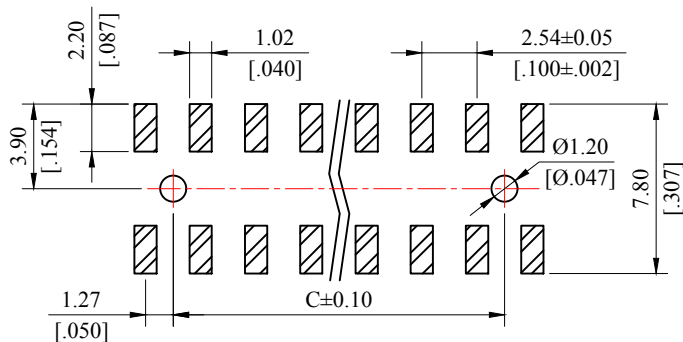
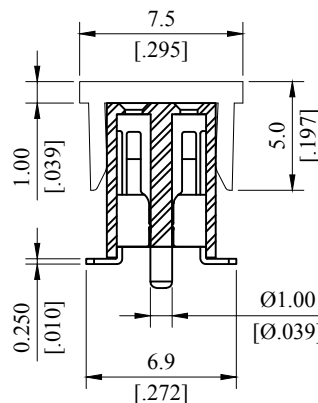
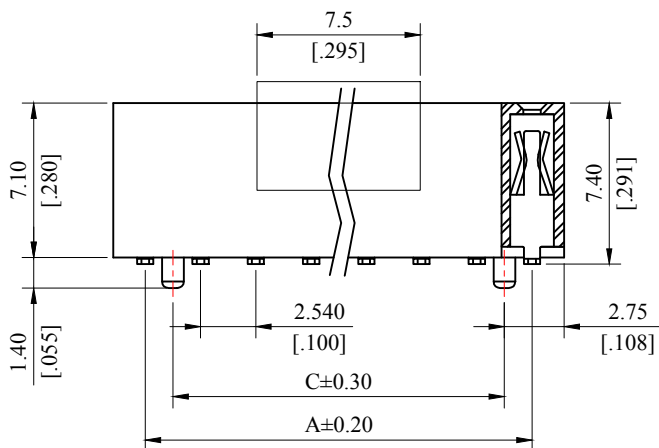
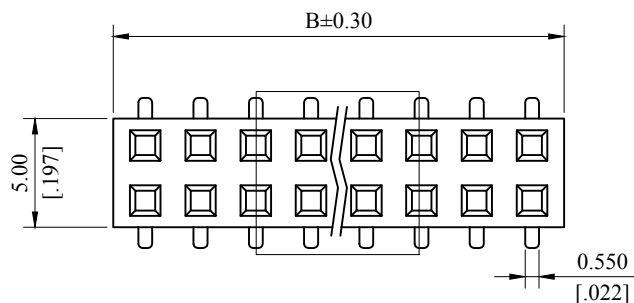


REV.	ECO. NO.	DESCRIPTION	DATE
A	DWG. REL.	APPROVED	
F	ES101238		
G	ES140914		
H	ES140918	add the 0=Without cap, j=With cap	
I	ES150118	add the W=Without post	
J	ES200709	B-3: 0.60→0.550 C-3: 7.50→7.40 D-4: 6.5→6.9	2020.07.31



Recommend PCB Layout

Material:
Insulator: High Temperature thermoplastic, UL94V-0,Black
Contact: Phosphor Bronze

General Part Number:

2564S $\frac{**}{1}$ M $\frac{*}{2}$ $\frac{*}{3}$ $\frac{*}{4}$

1.No.of circuits(04~80P)

2.Plating

M=Matte Tin plated 80u"min.over 30u" min. Nickel underplating overall

U=Gold flash over 30u" min. Nickel underplating overall

W=15u" min.Gold over 30u" min. Nickel underplating overall

Z=30u" min.Gold over 30u" min. Nickel underplating overall

3. 0= Without cap

J= With cap

4. P= With Post

W= Without Post

A=2.54mm *No.of spaces

B=A+2.94mm

C=A-2.54mm

TOLERANCE UNLESS OTHERWISE SPECIFIED			LEOCO CORPORATION		
mm	mm	inch	http://www.leoco.com.tw		
[inch]	mm	inch	APPROVED BY:	DATE:	TITLE:
1 PLACE	± 0.30	$\pm \text{---}$	Chard	2020.07.31	2.54 Pitch Socket
2 PLACES	± 0.20	$\pm .012$	CHECKED BY:	DATE:	
3 PLACES	± 0.10	$\pm .008$	Angel	2020.07.31	PART NO.: 2564S**M***
4 PLACES	$\pm \text{---}$	$\pm .004$	Spring	2020.07.31	
ANGULAR $\pm 1^\circ$			SIZE: A3	SCALE: 1:1	DRAWING NO.: 256401S
					REV.: J
					SHEET: 1 OF 1