

\*\*\* 2635 V Series

Material:

\*Insulator : UL 94V-0 Nylon 66

\*Contact: Phosphor Bronze

\*Plating : Tin

NOTE:

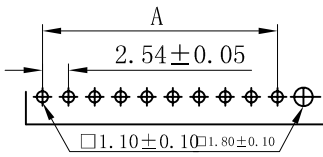
A: The A area bending 35 times min,  
no breakdown  
B: The B area bending 40 times min,  
no breakdown

RoHS COMPLIANT

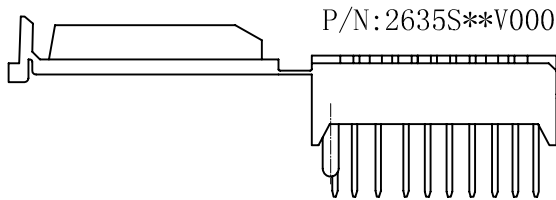
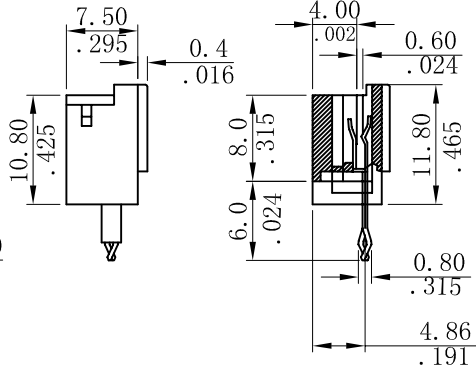
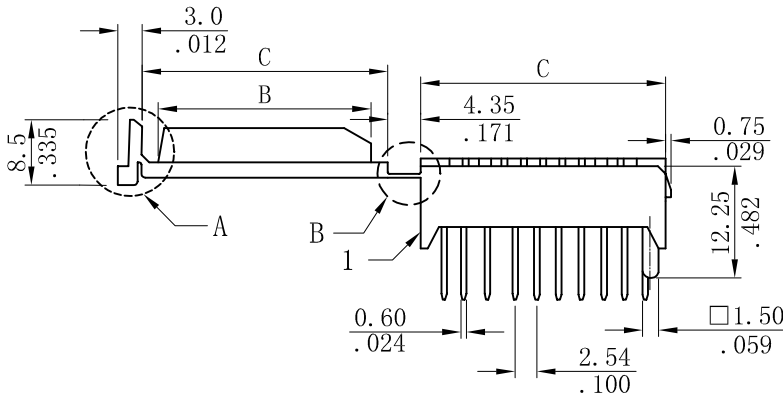
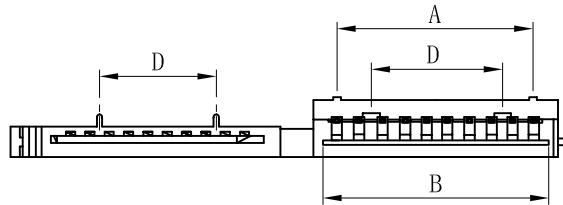
Ordering Information Breakdown

2635S \*\* V 0 \*\*  
↑ 2 3

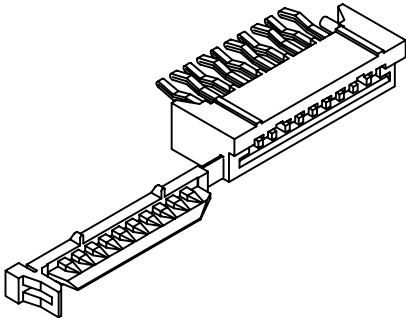
- No. of Circuits
- P.C.Board Layout Options  
O= Standard Layout  
M= Sse the drawing of next page  
T= Other type
- Packing options:  
O= Polarizing on right (standard product)  
L= Polarizing on left  
A= Polarizing on both sides



RECOMMENDED HOLE PATTERN



P/N: 2635S\*\*V00L



Part No.	Dimension			
	Dim . A		Dim . B	Dim . C
2635S08V00*	17.78(.700)	23.11(.910)	27.05(1.065)	10.16(.400)
2635S09V00*	20.32(.800)	25.65(1.010)	29.59(1.165)	12.70(.500)
2635S10V00*	22.86(.900)	28.19(1.110)	32.13(1.265)	15.24(.600)
2635S11V00*	25.40(1.000)	30.73(1.210)	34.67(1.365)	17.78(.700)
2635S13V00*	30.48(1.200)	35.81(1.410)	39.75(1.565)	22.86(.900)
2635S14V00*	33.02(1.300)	38.35(1.510)	42.29(1.665)	25.4(1.000)

**leoco** LEOCO CORPORATION

GENERAL TOLERANCES:  
(UNLESS SPECIFIED)

	mm	inch
1 PLACE	± 0.30	± --
2 PLACES	± 0.20	± .012
3 PLACES	± 0.10	± .008
4 PLACES	± --	± .004

ANGULAR ± (1°)

APPROVED:

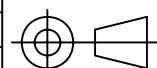
DATE:

CHECKED:

DATE:

DRAWN:

DATE:



UNITS  
mm  
inch

PART NO.:

2635S\*\*V0\*\*

TITLE:

2.54mm FPC connector

DRAWING NO.:

263501S

SCALE SIZE SHEET REV.

4:1 A4 1/2 C

REV.	ECO. NO.	CHG.	APP.
C	ES071009		
B	ES060607		
A	DWG REL		

