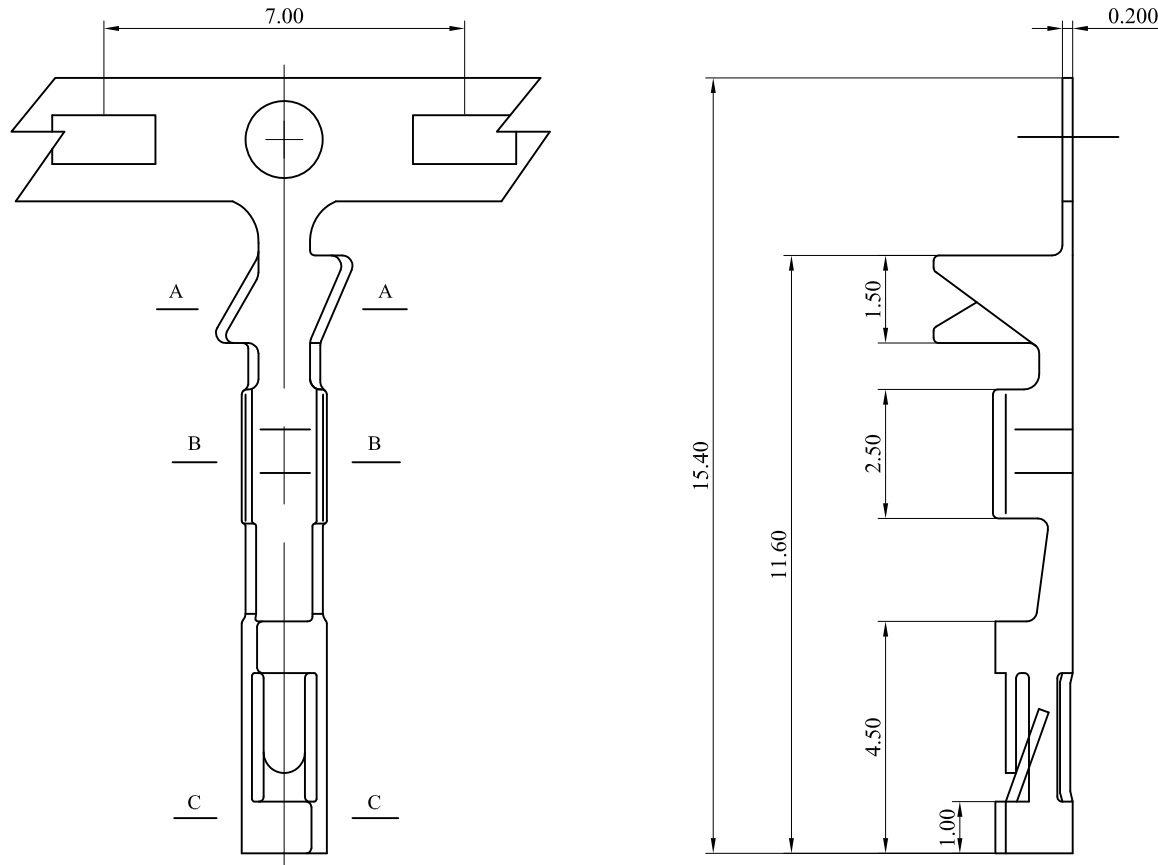


| REV. | ECO. NO. | DESCRIPTION | DATE |
|------|-----------|---|------------|
| A | DWG. REL. | APPROVED | |
| C | ES040833 | | |
| D | ES060745 | | |
| E | ES090655 | | |
| F | ES101227 | | |
| G | ES210810 | Change Plating | 2021.8.20 |
| H | ES220509 | Area 4-E: 0.400-0.20+0.04/-0.08 0.400-0.30+0.08/-0.06 Area 6-C add Plating Delete inch dimension | 2022.05.24 |

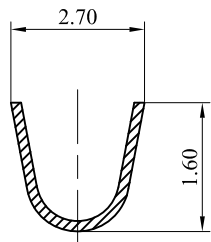


Note:
Material:
Contact: Phosphor Bronze
Wire range: #22~28

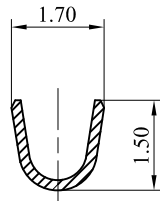
Part number:
2653TPB * 00*
1 2

1.Plating
0= Tin plated 120μ" min over 30μ" min. Nickel overall
F= Selective Gold flash on contact area over 30μ" min. Nickel overall,
Ni plated on other area
J= 15μ" min. Selective Gold on contact area over 30μ" min. Nickel
underplating overall, Tin plated on solder tails
U= Gold flash over 30u" min. Nickel underplating overall
N= Natural

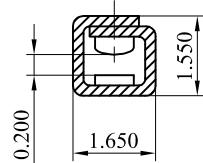
2.Circuits range
1= Applicable to housing 1 circuit and 7 circuits
2= Applicable to housing 8 circuit and 40 circuits



A-A

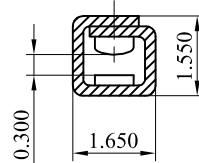


B-B



C-C

2653TPB**001



C-C

2653TPB**002

| TOLERANCE UNLESS OTHERWISE SPECIFIED | | | LEOCO CORPORATION http://www.leoco.com.tw | | |
|--------------------------------------|--------|-------|--|------------|-------------------------|
| mm | mm | inch | APPROVED BY: | DATE: | TITLE: |
| 1 PLACE | ± 0.30 | ± --- | CHECKED BY: | DATE: | 2653T Crimping Terminal |
| 2 PLACES | ± 0.20 | ± --- | DRAWN BY: | DATE: | PART NO.: |
| 3 PLACES | ± 0.10 | ± --- | Janey | 2022.05.25 | 2653TPB*00* |
| 4 PLACES | ± --- | ± --- | SIZE: | SCALE: | DRAWING NO.: |
| ANGULAR ±1° | | | A3 | 1:1 | 265304S |
| | | | | | REV.: H |
| | | | SHEET: 1 OF 1 | | |