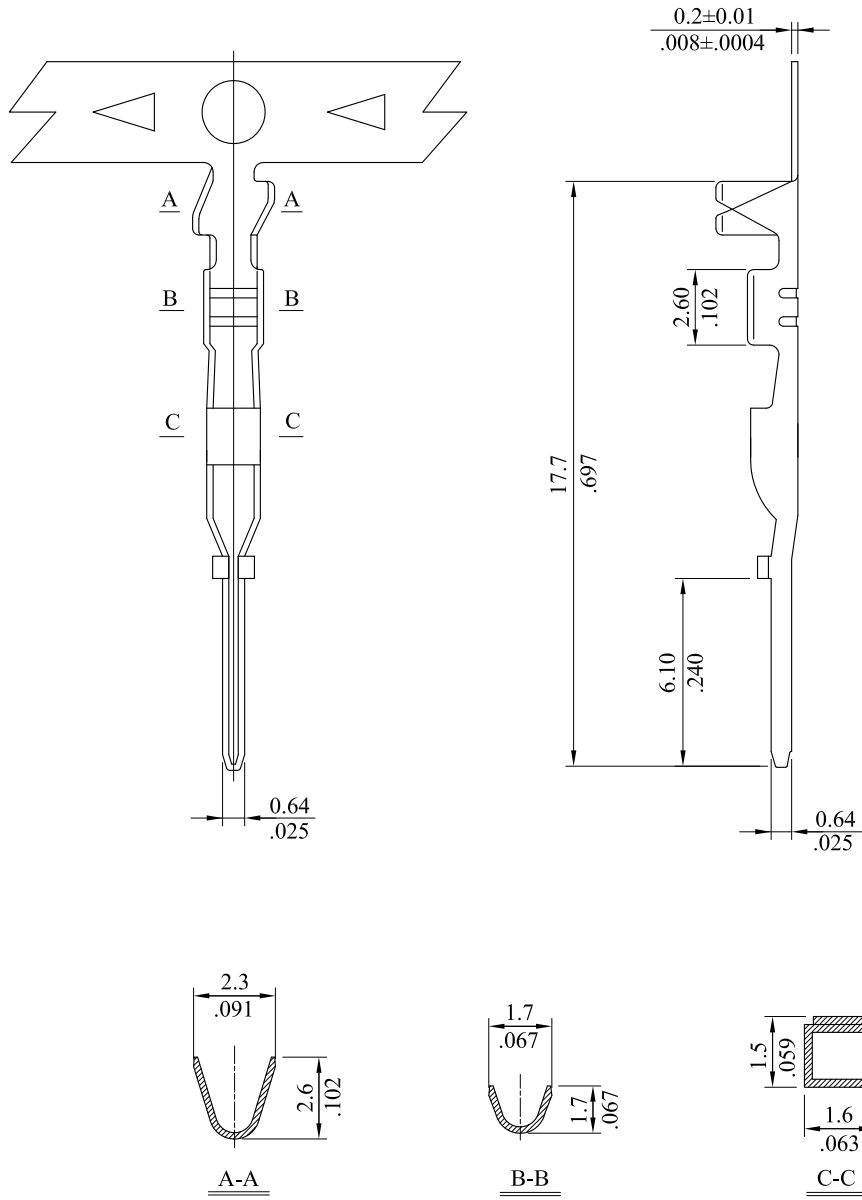


\* Material : BRASS

\* Plating : Tin plated 120μ ” min over 30μ ” min. nickel overall

RoHS COMPLIANT



				<b>leoco</b> LEOCO CORPORATION		APPROVED:		PART NO.:				
				GENERAL TOLERANCES: (UNLESS SPECIFIED)		DATE:		2663TCB0000				
D	ES101238					CHECKED:		TITLE:				
						DATE:		TERMINAL				
C	ES051133					DRAWN:		DRAWING NO.:				
						DATE:		2663TSP				
A	DWG REL							UNITS	SCALE	SIZE	SHEET	REV.
REV.	ECO. NO.	CHG.	APP.					$\frac{\text{mm}}{\text{inch}}$	4:1	A4	1/1	D
				ANGULAR $\pm (1^\circ)$								