

Ordering Information:

2762S ** * 000
1 2

RoHS COMPLIANT

1. No. of circuits

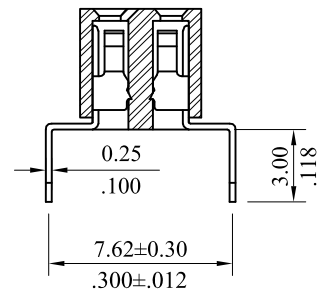
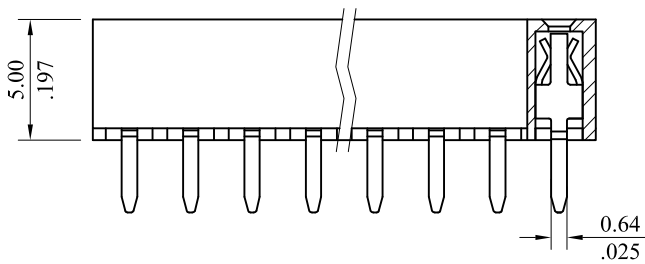
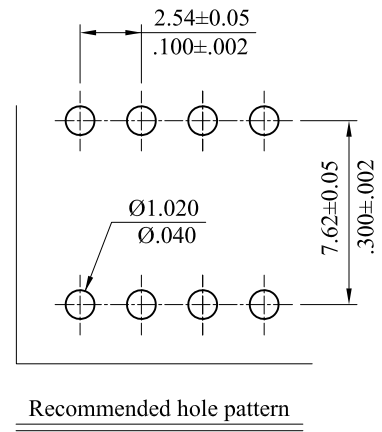
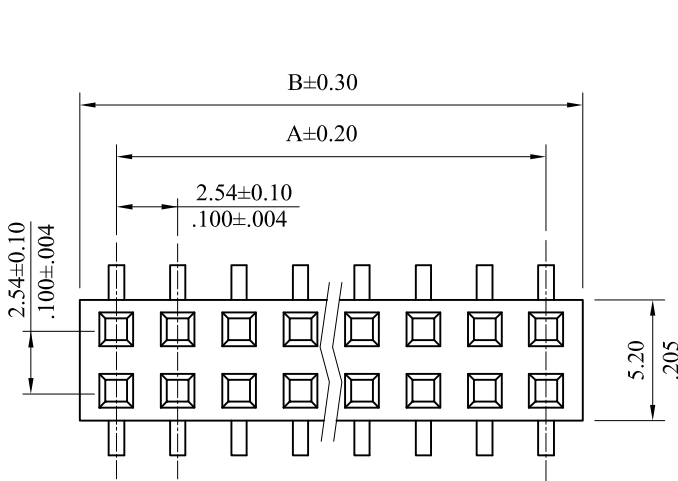
2. Plating :

- T = Tin plated 120u"min. over 30u"min. nickel overall
- U = Gold flash over 30u"min. nickel overall
- W = 15u" gold over 30u"min. nickel overall
- Z = 30u" gold over 30u"min. nickel overall

Material :

- Insulator: Thermal Plastic UL94V-0
- Contact : Phosphor Bronze

A = 2.54mm(.100") * No.of spaces
B = A + 3.04mm(.120")



leoco LECO CORPORATION

GENERAL TOLERANCES:
(UNLESS SPECIFIED)

	mm	inch
1 PLACE	± 0.30	± --
2 PLACES	± 0.20	± .012
3 PLACES	± 0.10	± .008
4 PLACES	± --	± .004

ANGULAR ± (1°)

APPROVED: CHARD

DATE:

CHECKED: ANGEL

DATE:

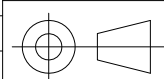
DRAWN: SAM

DATE: 2012.06.25

PART NO.:
2762S***000

TITLE:
2.54 Pitch Socket

DRAWING NO.:
276206S



UNITS
mm
inch

SCALE	SIZE	SHEET	REV.
3:1	A4	1/1	A

REV.	ECO. NO.	CHG.	APP.
A	DWG REL		