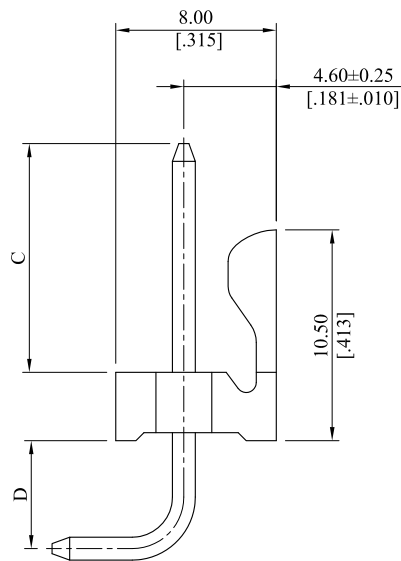
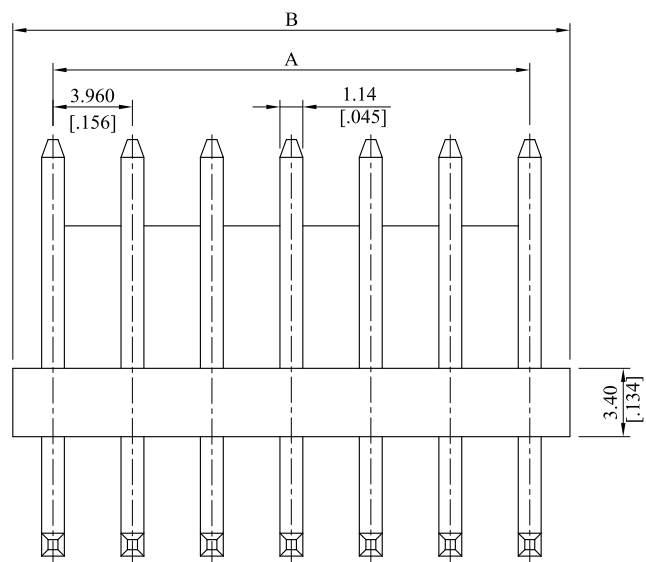


RoHS COMPLIANT

CUSTOMER DRAWING

REV.	ECO. NO.	DESCRIPTION	DATE
A	DWG.REL	APPROVAL	
B	ES180315	ADD A4:4.6	2018.03.20



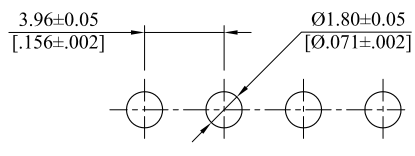
Note:

Material:
 Insulator: Nylon66, UL94 V-0, Black
 Contact: Brass
 Plating: Tin plated

General Part Number:

3943P ** H ** **
 1 2 3

- No. of circuits(02~15)
- Length of Pin
 0: Standard Type Dim.C=10.15mm, Dim.D=3.40mm
 A: Dim.C=10.15mm, Dim.D=4.00mm
- Empty Circuits
 00: Full Circuits
 01: See Table



PCB LAYOUT

8	27.72±0.20	31.68±0.25	15	55.44±0.30	59.40±0.35
7	23.76±0.20	27.72±0.25	14	51.48±0.25	55.44±0.30
6	19.80±0.15	23.76±0.20	13	47.52±0.25	51.48±0.30
5	15.84±0.15	19.80±0.20	12	43.56±0.25	47.52±0.30
4	11.88±0.15	15.84±0.20	11	39.60±0.25	43.56±0.30
3	7.92±0.10	11.88±0.20	10	35.64±0.25	39.60±0.30
2	3.96±0.10	7.92±0.20	9	31.68±0.20	35.64±0.25
CIRCUITS	DIM. A	DIM. B	CIRCUITS	DIM. A	DIM. B

TOLERANCE UNLESS OTHERWISE SPECIFIED			LEOCO CORPORATION http://www.leoco.com.tw		
mm	mm	inch	APPROVED BY:	DATE:	TITLE:
[inch]			Chard	2018.03.20	3.96mm(.156") Wafer
			CHECKED BY:	DATE:	
1 PLACE	± 0.30	± ---	Angel	2018.03.20	PART NO.: 3943P**H***
2 PLACES	± 0.20	± .012	DRAWN BY:	DATE:	
3 PLACES	± 0.10	± .008	Shirley	2018.03.20	DRAWING NO.: 394305S
4 PLACES	± ---	± .004	SIZE:	SCALE:	
ANGULAR ±1°			A3	1:1	REV.: B
					SHEET: 1 OF 1