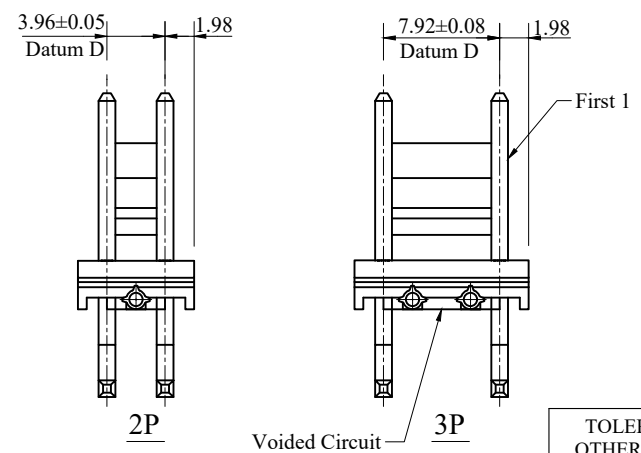
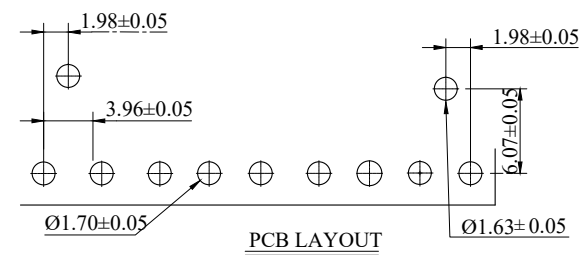
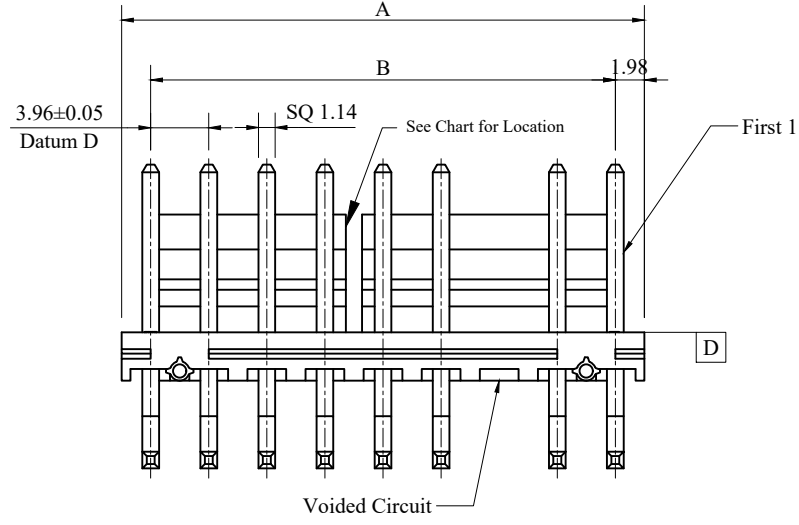
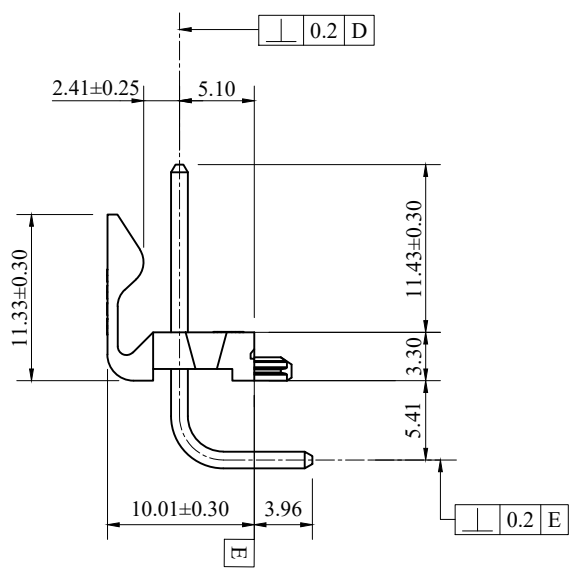


RoHS COMPLIANT

CUSTOMER DRAWING			
REV.	ECO. NO.	DESCRIPTION	DATE
A	DWG. REL.		
B	ES120702		
C	ES211210	Update	2021.12.27
D	ES221202	Add verticality mark & Increase tolerance of adjacent pin distance and Datum mark	2022.12.01



Note:

Material:  
 Insulator: Thermoplastic, UL94 V-0, White  
 Contact: Copper alloy

Ordering Information:

- 3972 P \*\* H P \*\*  
 1 2 3 4 5  
 1: Series No.  
 2: No. of circuits(2,3,5,7,9circuits)  
 3: Right angle type  
 4: Plating

F= Selective gold flash on contact area and Sn 100µ"min on solder tail over Nickel 50µ"min. overall.  
 J= Selective Au 15µ" min. on contact area and Sn 100µ"min on solder tail over Nickel 50µ"min. overall.  
 0= Tin plated 120µ"min. over 30µ"min. nickel overall

5: Voided Option

- 0=Full Circuit  
 4=Voided 3 Circuit  
 1=Voided 2 Circuit

9	35.64±0.25	31.68±0.13
7	27.72±0.20	23.76±0.10
5	19.8±0.15	15.84±0.10
3	11.88±0.15	7.92±0.08
2	7.92±0.15	3.96±0.05
Circuits	DIM.A	DIM.B
No.of Ckts	2 3 5 7 9	
Slot Loc Between Ckts	None None None 4&5 5&6	

TOLERANCE UNLESS OTHERWISE SPECIFIED			LEOCO CORPORATION <a href="http://www.leoco.com.tw">http://www.leoco.com.tw</a>		
mm	mm	inch	APPROVED BY:	DATE:	TITLE:
1 PLACE	± 0.30	± ---	Chard	2022.12.01	HEADER
2 PLACES	± 0.20	± ---	CHECKED BY:	DATE:	
3 PLACES	± 0.10	± ---	Spring	2022.12.01	PART NO.: 3972P**HP**
4 PLACES	± ---	± ---	DRAWN BY:	DATE:	
ANGULAR ±1°			Angel	2022.12.01	DRAWING NO.: 397201S
			SIZE: A3	SCALE: 1:1	REV.: D
					SHEET: 1 OF 1