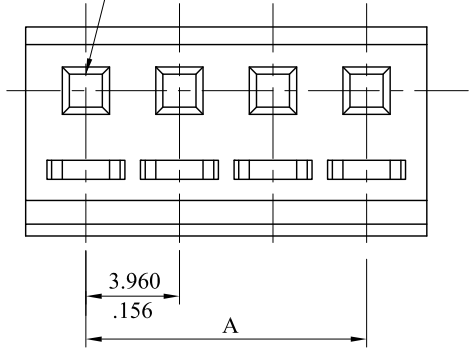


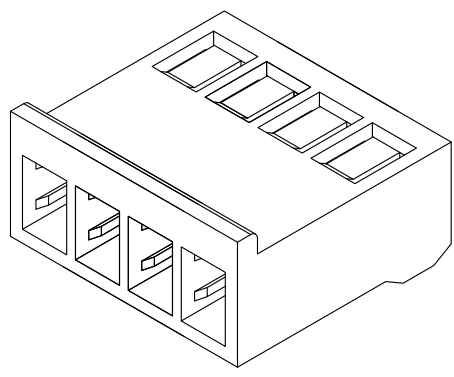
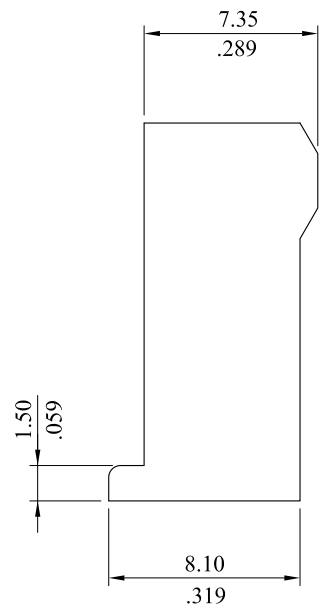
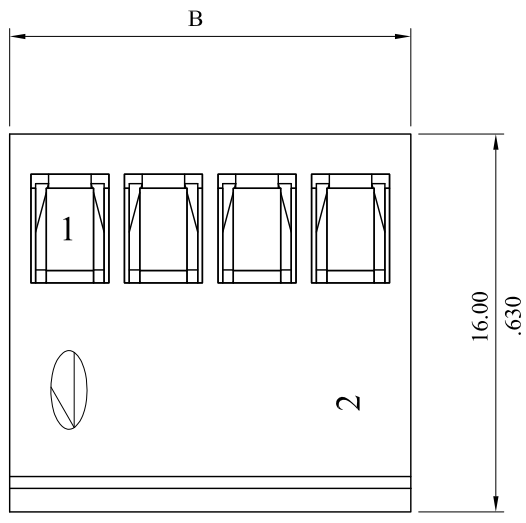
RoHS COMPLIANT

Circuit 1



Specifications:

Molding Material : PA66,UL 94V-0 ,Compliant IEC 60335-1,1750°C<2sec
 Color: Natural
 Current Rating: 7A AC,DC
 Voltage Rating: 250V AC,DC
 Temperature Range : -25 °C ~+85 °C
 Contact Resistance : 10mΩ Max
 Insulation Resistance : 1000MΩ Min
 Withstanding Voltage : 1500V AC/minute



12	43.56(1.715)	48.66(1.916)
11	39.60(1.559)	44.70(1.759)
10	35.64(1.403)	40.74(1.604)
9	31.68(1.247)	36.78(1.448)
8	27.72(1.091)	32.82(1.292)
7	23.76(.936)	28.86(1.136)
6	19.80(.780)	24.90(.980)
5	15.84(.624)	20.94(.824)
4	11.88(.468)	16.98(.669)
3	7.92(.312)	13.02(.513)
2	3.960(.156)	9.06(.357)
Circuits	Dim. A	Dim. B

			leoco LEOCO CORPORATION		APPROVED:		PART NO.:				
D	ES121003	Cancel:PA6&White &rev.4	GENERAL TOLERANCES: (UNLESS SPECIFIED)			DATE: Chard		3976S**00GT			
C	ES101224					mm		inch		CHECKED: Smile	
B	ES090824		1 PLACE	± 0.30	± --	DATE: Angel		DRAWING NO.: 397603S			
A	DWG REL		2 PLACES	± 0.20	± .012	DRAWN: Angel					
REV.	ECO. NO.	DESCRIPTION	3 PLACES	± 0.10	± .008	DATE: 2012.10.09		SCALE	SIZE	SHEET	REV.
			4 PLACES	± --	± .004	ANGULAR ± (1°)		3:1	A4	1/1	D
								UNITS			
						mm inch					