

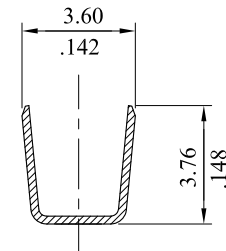
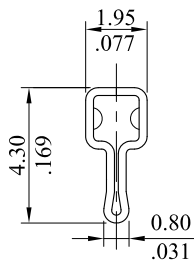
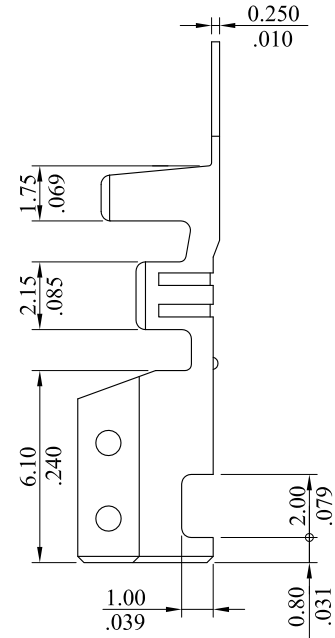
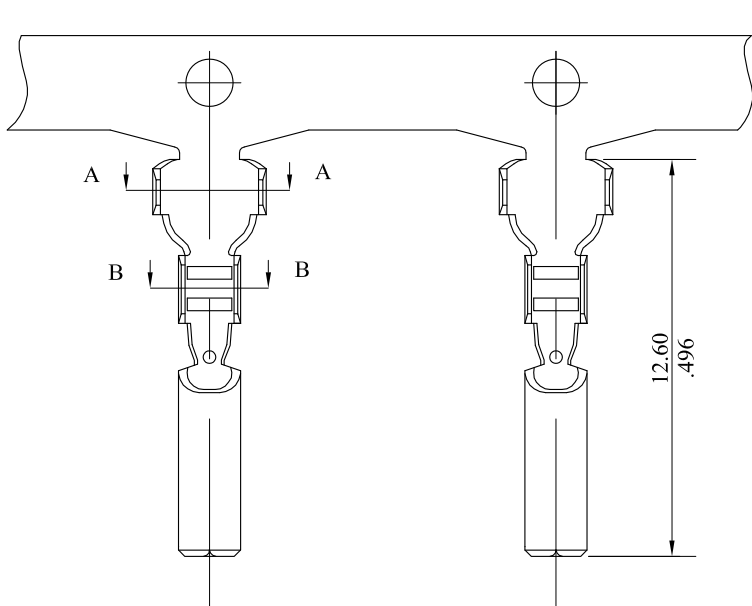
Material: Brass

Plating: Tin Plated

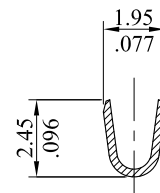
Applicable Wires : AWG 18 ~ 24

Insulation O.D.: 3.20mm Max.

RoHS COMPLIANT



SECTION A-A



SECTION B-B

				<b>LEOCO CORPORATION</b>	APPROVED:		PART NO.:					
					DATE:		3976TCB00V1					
				GENERAL TOLERANCES: (UNLESS SPECIFIED)		CHECKED:		TITLE:				
						DATE:		TERMINAL				
C	ES101224					DRAWN:		DRAWING NO.:				
B	ES090607					DATE:		397602S				
A	DWG REL					DATE:						
REV.	ECO. NO.	CHG.	APP.					UNITS	SCALE	SIZE	SHEET	REV.
				ANGULAR ± ( 1° )				mm inch	4:1	A4	1/1	C