

\*\*\* 4000 M Series \*\*\*

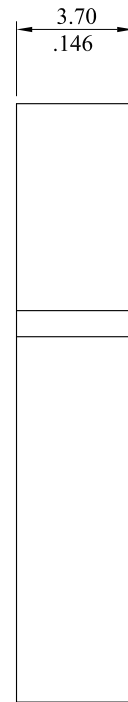
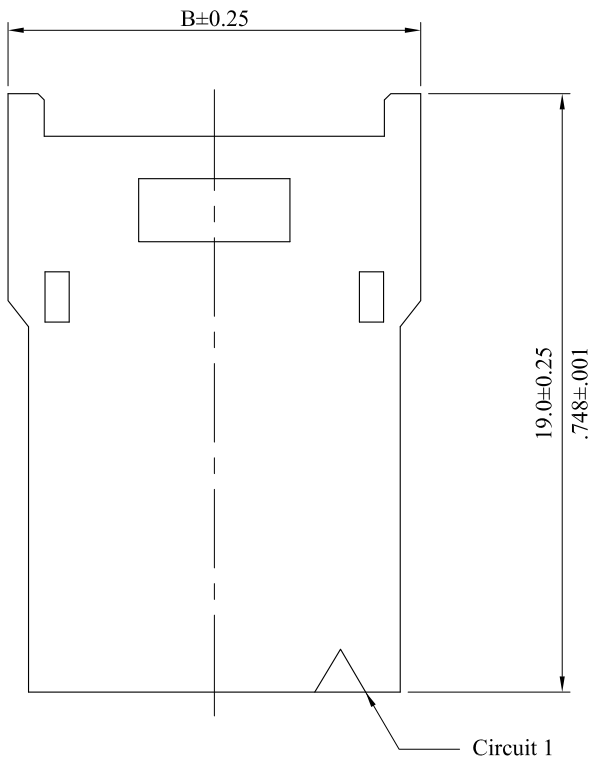
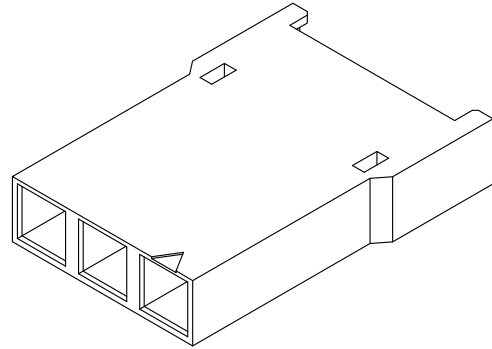
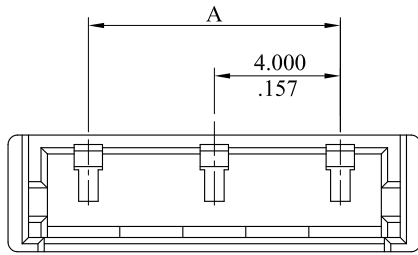
\* Material : UL 94V-0 Nylon 6/6

RoHS COMPLIANT

Ordering Information:

4000S \*\* M000  
1

1. No. of circuits



Part No.	DIM. A	DIM. B
4000S02M000	4.00(.157)	9.10(.358)
4000S03M000	8.00(.315)	13.10(.516)
4000S04M000	12.00(.472)	17.10(.673)
4000S05M000	16.00(.630)	21.10(.831)

C	ES101224		
B	ES081001		
A	DWG REL		
REV.	ECO. NO.	CHG.	APP.

**leoco** LEOCO CORPORATION

GENERAL TOLERANCES:  
(UNLESS SPECIFIED)

	mm	inch
1 PLACE	± 0.30	± --
2 PLACES	± 0.20	± .012
3 PLACES	± 0.10	± .008
4 PLACES	± --	± .004

ANGULAR ± ( 1° )

APPROVED:

DATE:

CHECKED:

DATE:

DRAWN:

DATE:

PART NO.:			
4000S**M000			
TITLE:			
HOUSING			
DRAWING NO.:			
400001S			
UNITS	SCALE	SIZE	SHEET
mm inch	4:1	A4	1/1
			REV.
			C