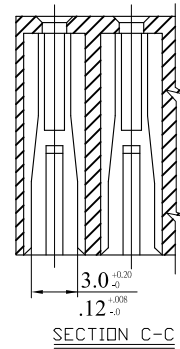
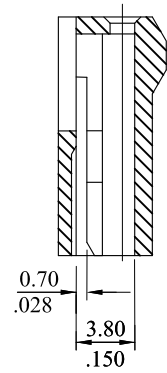
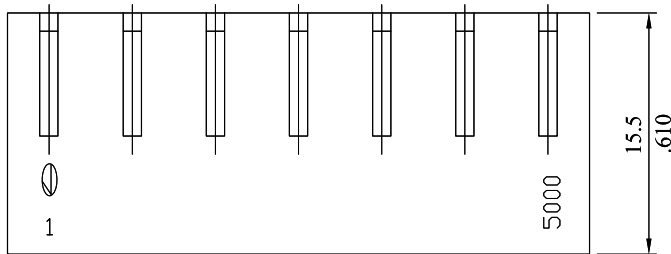
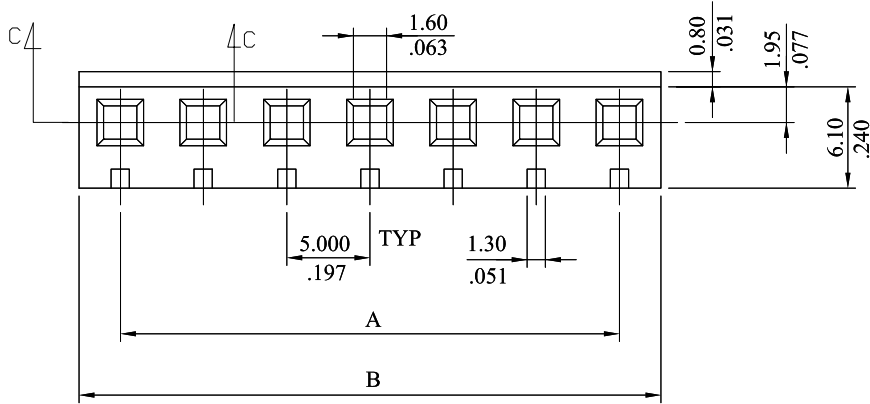


*** 5000 Series ***
 Material : UL 94V-0 Nylon 6/6

RoHS COMPLIANT



Circuits	PART NO.:	Dim.A	Dim.B
2	5000S020013	5.000(.197)	10.0(.394)
3	5000S030013	10.000(.394)	15.0(.591)
4	5000S040013	15.000(.591)	20.0(.787)
5	5000S050013	20.000(.787)	25.0(.984)
6	5000S060013	25.000(.984)	30.0(1.181)
7	5000S070013	30.00(1.181)	35.0(1.387)
8	5000S080013	35.00(1.378)	40.0(1.575)
9	5000S090013	40.00(1.575)	45.0(1.772)
10	5000S100013	45.00(1.772)	50.0(1.969)
11	5000S110013	50.00(1.969)	55.0(2.165)
12	5000S120013	55.0(2.165)	60.0(2.362)
13	5000S130013	60.0(2.362)	65.0(2.559)
14	5000S140013	65.0(2.559)	70.0(2.756)
15	5000S150013	70.0(2.756)	75.0(2.953)
16	5000S160013	75.0(2.953)	80.0(3.150)

E	ES141204	Add Dim.0.70	LEOCO CORPORATION	APPROVED:	PART NO.:						
D	ES141105	Update drawing Add Section C-C		GENERAL TOLERANCES: (UNLESS SPECIFIED)	DATE:	5000S**0013					
C	ES101218		mm		inch	CHECKED:	TITLE:				
B	ES081001		1 PLACE	± 0.30	± --	DATE:	HOUSING				
A	DWG REL		2 PLACES	± 0.20	± .012	DRAWN:	DRAWING NO.:				
REV.	ECO. NO.	DISCRIPTION	3 PLACES	± 0.10	± .008	DATE:2014.12.01	500001S				
			4 PLACES	± --	± .004		UNITS	SCALE	SIZE	SHEET	REV.
			ANGULAR ± (1°)		mm		~	A4	1/1	E	
				inch							