

*** 5002 Series ***

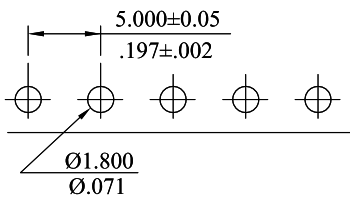
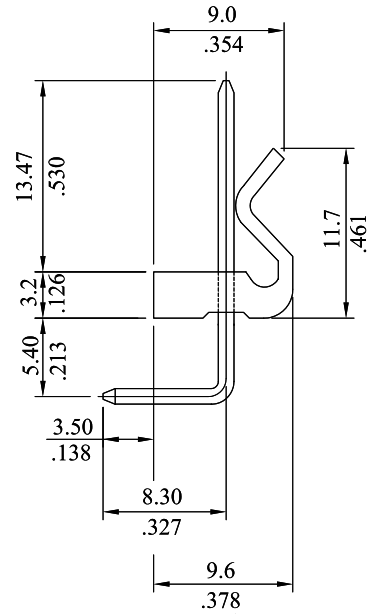
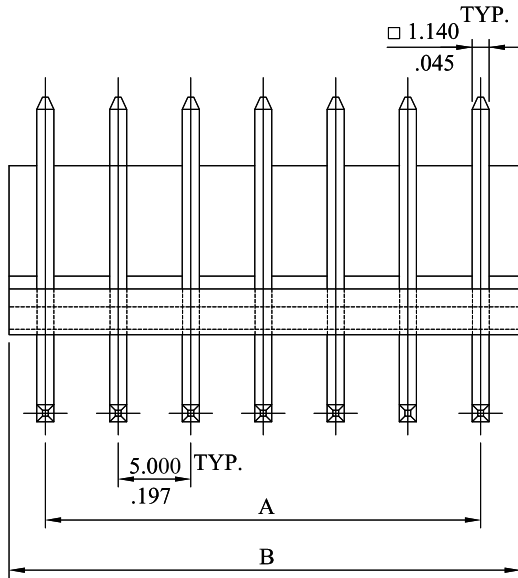
Material :

* Insulator : Nylon 6/6, UL 94V-0

* Contact : Brass

* Plating : Tin plated 120μ " min over 30μ " min. nickel overall

RoHS COMPLIANT



Recommended Hole Pattern

Circuits	Part No.	Dimension	
	Square Pin	A	B
2	5002P020013	5.00(.197)	10.0(.394)
3	5002P030013	10.00(.394)	15.0(.591)
4	5002P040013	15.00(.591)	20.0(.787)
5	5002P050013	20.00(.787)	25.0(.984)
6	5002P060013	25.00(.984)	30.0(1.181)
7	5002P070013	30.00(1.181)	35.0(1.378)
8	5002P080013	35.00(1.378)	40.0(1.575)
9	5002P090013	40.00(1.575)	45.0(1.772)
10	5002P100013	45.0(1.772)	50.0(1.969)
11	5002P110013	50.0(1.969)	55.0(2.165)
12	5002P120013	55.0(2.165)	60.0(2.362)
13	5002P130013	60.0(2.362)	65.0(2.559)
14	5002P140013	65.0(2.559)	70.0(2.756)
15	5002P150013	70.0(2.756)	75.0(2.953)
16	5002P160013	75.0(2.953)	80.0(3.150)

				leoco LEOCO CORPORATION		APPROVED:		PART NO.:																		
				GENERAL TOLERANCES: (UNLESS SPECIFIED)		DATE:		5002P**0013																		
						CHECKED:		TITLE:																		
C	ES101218			<table border="1"> <thead> <tr> <th></th> <th>mm</th> <th>inch</th> </tr> </thead> <tbody> <tr><td>1 PLACE</td><td>± 0.30</td><td>± --</td></tr> <tr><td>2 PLACES</td><td>± 0.20</td><td>± .012</td></tr> <tr><td>3 PLACES</td><td>± 0.10</td><td>± .008</td></tr> <tr><td>4 PLACES</td><td>± --</td><td>± .004</td></tr> </tbody> </table>			mm	inch	1 PLACE	± 0.30	± --	2 PLACES	± 0.20	± .012	3 PLACES	± 0.10	± .008	4 PLACES	± --	± .004	DATE:		HEADER			
	mm	inch																								
1 PLACE	± 0.30	± --																								
2 PLACES	± 0.20	± .012																								
3 PLACES	± 0.10	± .008																								
4 PLACES	± --	± .004																								
B	ES060624			ANGULAR ± (1°)		DRAWN:		DRAWING NO.:																		
A	DWG REL					DATE:		500201S																		
REV.	ECO. NO.	CHG.	APP.					UNITS	SCALE	SIZE	SHEET	REV.														
								mm inch	2:1	A4	1/1	C														