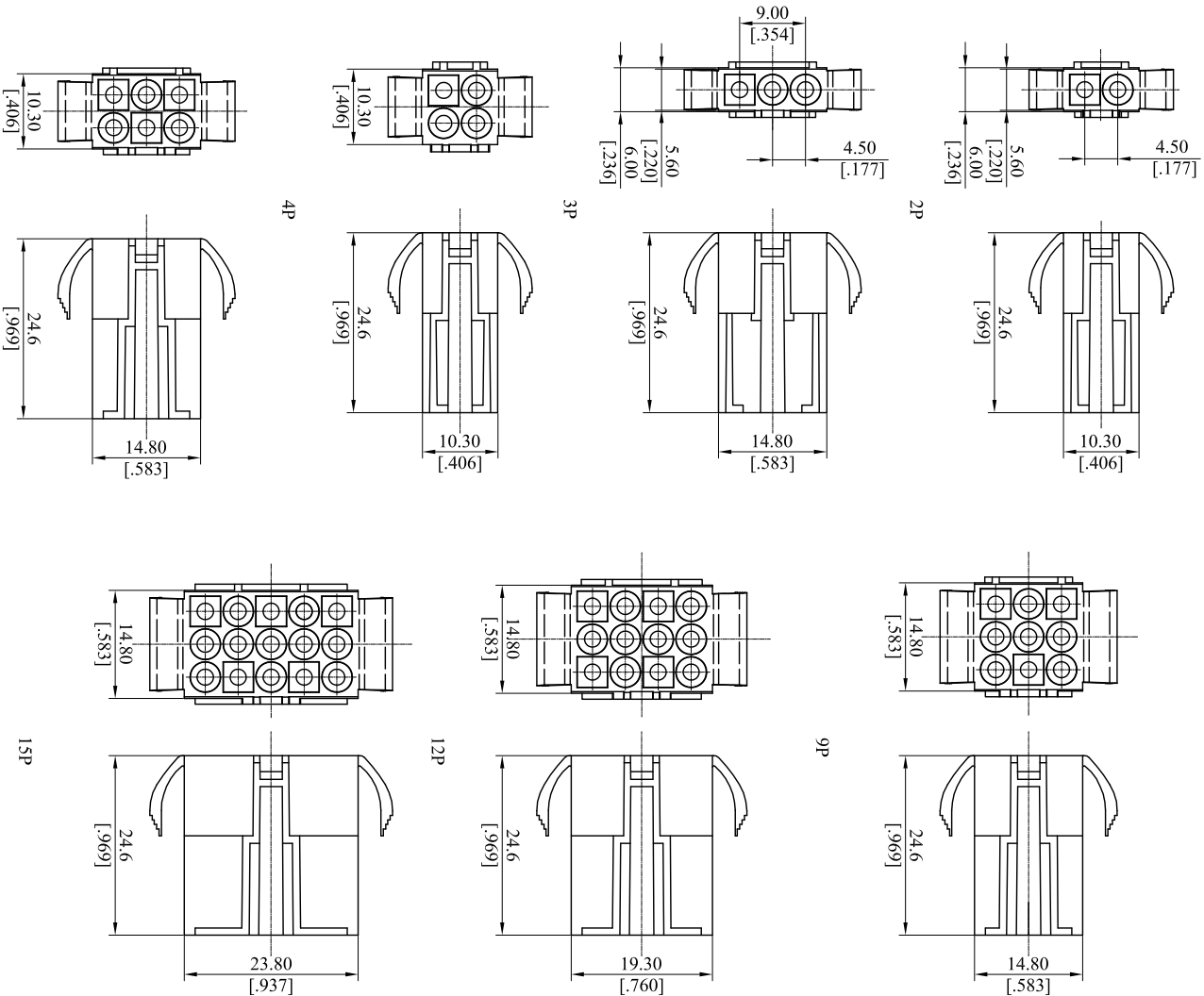


REV.	ECO. NO.	DESCRIPTION	DATE
A	DWG. REL.	APPROVED	
B	ES081001		
C	ES180819	Update the Drawing	2018.09.21

Note:
Material:
Insert: Thermoplastic, UL94V-0, White

General part number:
5300S ** M 000
1
1.No.of circuits:(02~15)



TOLERANCE UNLESS OTHERWISE SPECIFIED		LEOCO CORPORATION	
mm	mm	http://www.leoco.com.tw	
[inch]	inch	TITLE:	
1 PLACE ± 0.30 ± --		5.00mm PITCH HOUSING	
2 PLACES ± 0.20 ± .012		APPROVED BY: Chard	DATE: 2018.09.24
3 PLACES ± 0.10 ± .008		CHECKED BY: Angel	DATE: 2018.09.21
4 PLACES ± -- ± .004		DRAWN BY: Dylan	DATE: 2018.09.21
ANGULAR ±1°		PART NO.: 5300S**M000	
SIZE: A3	SCALE: 1:1	DRAWING NO.: 530007S	REV.: C
			SHEET: 1 OF 1