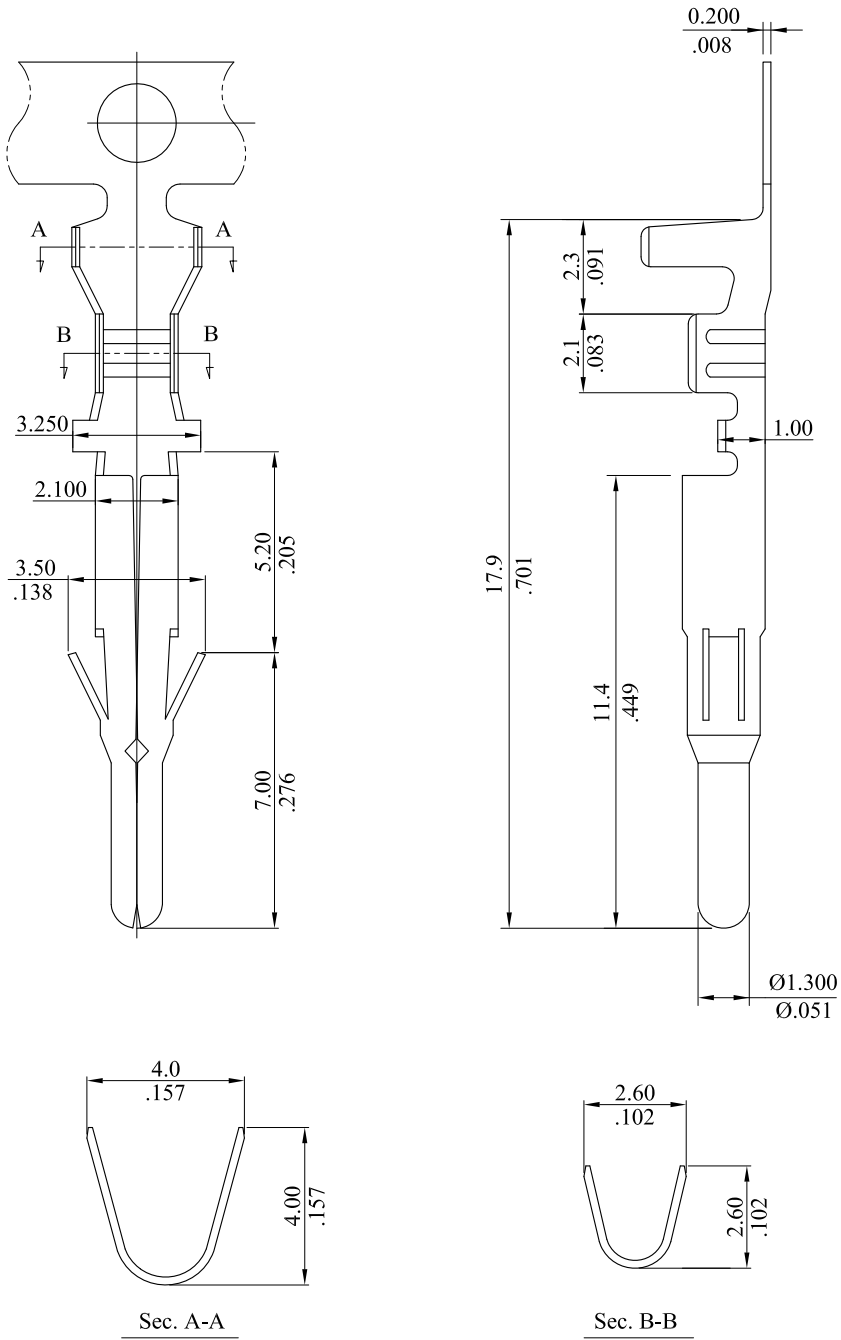


Material :
 Applicable Wire: AWG16~26
 Contact: Phosphor Bronze
 Plating: Tin plated 60μ " min

RoHS COMPLIANT



| | | | | | | | | | | |
|------|----------|--|--------------------------|---|--------------------------------|---------------------------------|-------|---------------------------|-------|------|
| J | ES150907 | Change Tin plated 120u"min into 60u"min | LEOCO CORPORATION | APPROVED: chard | | PART NO.: 5311TPB0000 | | | | |
| I | ES120323 | | | GENERAL TOLERANCES: (UNLESS SPECIFIED) | | DATE: 2015.09.11 | | TITLE: TERMINAL | | |
| H | ES101238 | | CHECKED: angel | | | DATE: 2015.09.11 | | | | |
| G | ES050811 | | DRAWN: spring | | DRAWING NO.: 531101S | | | | | |
| F | ES050417 | | DATE: 2015.09.10 | | | | | | | |
| REV. | ECO. NO. | DESCRIPTION | ANGULAR ± (1°) | | | UNITS | SCALE | SIZE | SHEET | REV. |
| | | | | | | mm inch | 5:1 | A4 | 1/1 | J |