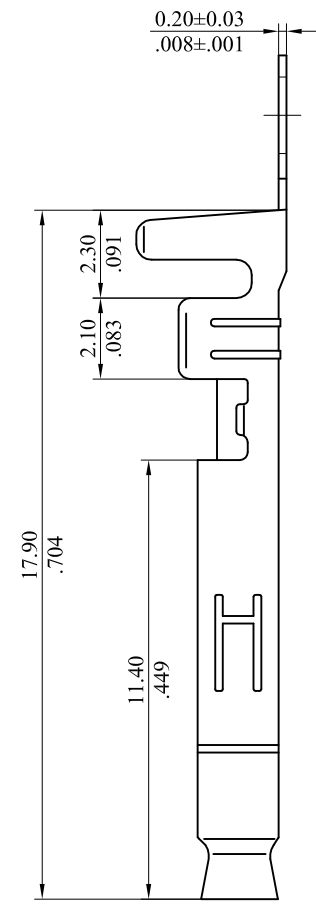
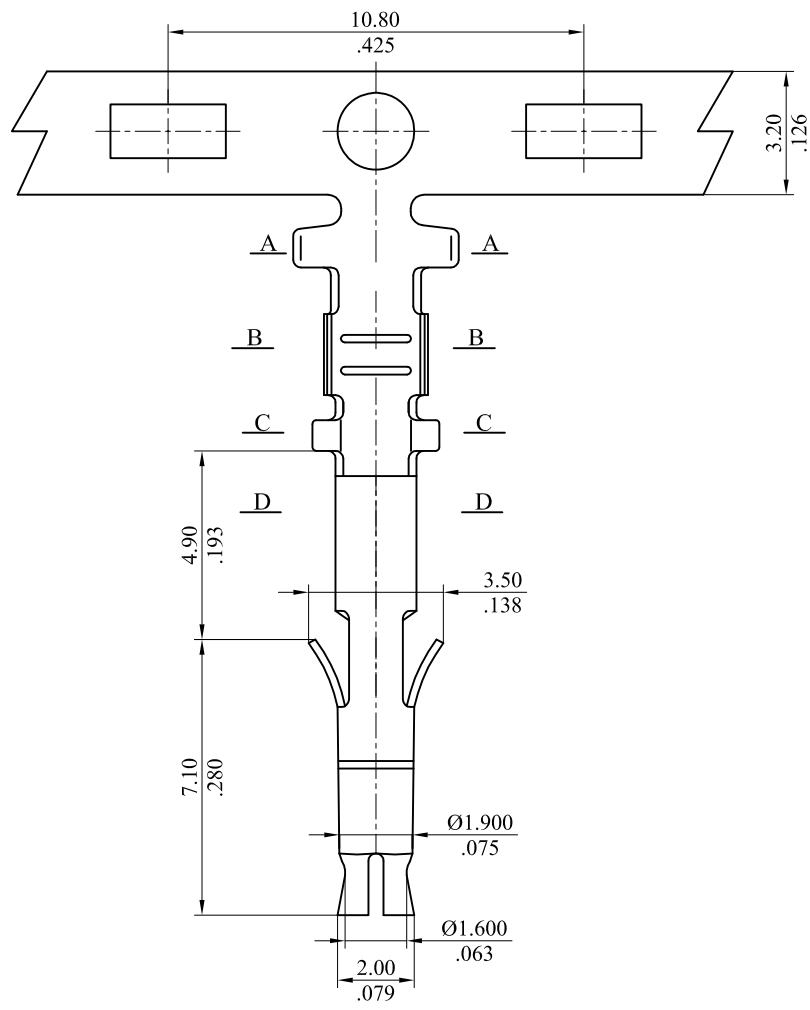
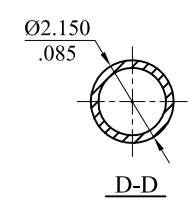
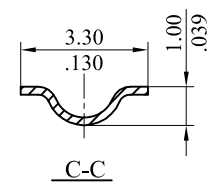
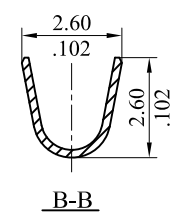
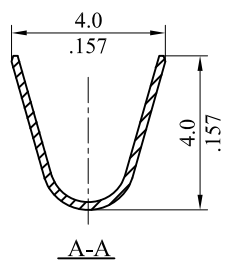


RoHS COMPLIANT

CUSTOMER DRAWING			
REV.	ECO. NO.	DESCRIPTION	DATE
A	DWG. REL.	APPROVED	
B	ES050811		
C	ES101238		
D	ES180308	Update Drawing	2018.03.14



Material:
Terminal: Phosphor Bronze/Tin plated



TOLERANCE UNLESS OTHERWISE SPECIFIED			LEOCO CORPORATION http://www.leoco.com.tw		
mm [inch]	mm	inch	APPROVED BY:	DATE:	TITLE:
1 PLACE	± 0.30	± ---	Chard	2018.03.14	Terminal
2 PLACES	± 0.20	± .012	Angel	2018.03.14	
3 PLACES	± 0.10	± .008	Dylan	2018.03.14	PART NO.:
4 PLACES	± ---	± .004			5312TPB0000
ANGULAR ±1°			SIZE:	SCALE:	DRAWING NO.:
			A3	1:1	531201S
					REV.:
					D
					SHEET:
					1 OF 1